



ARE SOCKETS SUPPLIED WITH YOUR VDM-1?

Not if you purchased your kit before May 1, 1976*. Kits purchased before this date are shipped with one socket only, and that socket is for the character generator (IC4).

A set of sockets for the VDM-1 is available from Processor Technology for \$19.00, postpaid to U.S. and Canada if full payment accompanies your order. The added convenience in assembly and IC replacement is well worth the added investment in your VDM-1.

If you purchased your kit before May 1 and intend to install sockets for all ICs, follow the assembly procedure given in this manual.

If you do not intend to install sockets for all ICs, replace Step 1 in the procedure with the following.

- () Step 1. Install 24-pin socket in Area A-6,7 for IC4. Avoid creating solder bridges between pins and traces.

Also, refer to "Loading DIP Devices" in Appendix III of this manual when performing Step 16, 18, 20 and 22.

*Sockets are included in all VDM-1 kits purchased after May 1, 1976 at the new kit price of \$179.00.

April, 1976

PROCESSOR TECHNOLOGY CORPORATION 6200 HOLLIS STREET EMERYVILLE CA 94608 (415)652-8080
CABLE ADDRESS "PROCTEC"



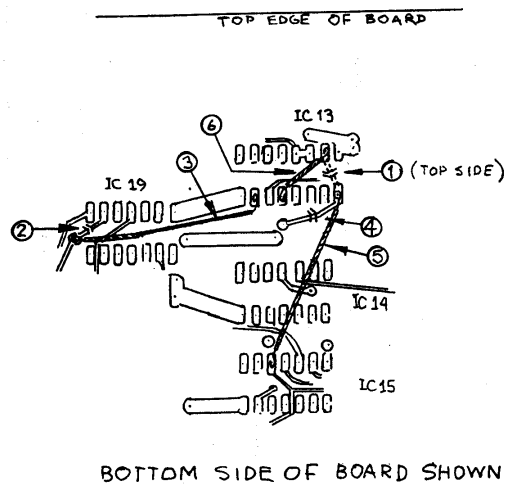
VDM - 1 ENGINEERING MODIFICATION (PC board rev. A through D)

A modification has been made to the circuit of the VDM-1 which will improve the timing margins in the vertical scrolling circuit. In order to incorporate these design changes in your unit, please carry out the following step before starting step 1 of the assembly instructions:

1. On top side of board cut trace connecting pin 1 of IC 13 with pin 15 of IC 13.

Now proceed with assembly until you reach step 15. After completing step 15, carry out the following steps before continuing with step 16:

2. Cut trace from pin 2 of IC 19 to R 18.
3. Connect a jumper wire from R 18 to pin 7 of IC 13.
4. Cut trace from pin 1 of IC 13 to R 13.
5. Connect a jumper wire from pin 1 of IC 13 to pin 10 of IC 15.
6. Connect a jumper wire from pin 15 of IC 13 to pin 5 of IC 13.



PROCESSOR TECHNOLOGY CORPORATION

VDM-1 VIDEO DISPLAY MODULE

CONTENTS

<u>SECTION</u>	<u>TITLE</u>	<u>PAGE</u>
I	INTRODUCTION and GENERAL INFORMATION	
1.1	Introduction	I-1
1.2	General Information	I-1
1.2.1	VDM-1 Description	I-1
1.2.2	Receiving Inspection	I-2
1.2.3	Warranty Information	I-2
1.2.4	Replacement Parts	I-2
1.2.5	Factory Service	I-2
II	ASSEMBLY and TEST	
2.1	Assembly Tips	II-1
2.2	Assembly Precautions	II-1
2.2.1	Handling MOS Integrated Circuits	II-1
2.2.2	Soldering	II-2
2.2.3	Installing and Removing VDM-1	II-2
2.2.4	Installing and Removing Integrated Circuits	II-2
2.3	Required Tools, Equipment and Materials	II-2
2.4	Parts and Components	II-3
2.5	Orientation	II-3
2.6	Assembly-Test Procedures	II-3
2.7	Final Test Procedures	II-21
2.7.1	VDM-1 DIP Switch Settings	II-21
2.7.2	VDM-1 Installation	II-21
2.7.3	VDM-1 Status Initialization	II-22
2.7.4	Scroll and Status Change Test	II-22
2.7.5	Hardware-Software Function Test	II-23
2.7.6	Character Generator Test	II-26
III	THEORY OF OPERATION	
3.1	Theory of Operation	III-1
3.1.1	Timing	III-1
3.1.2	Synchronization and Blanking	III-2
3.1.3	Screen Memory	III-4
3.1.4	Character Generation	III-4
3.1.5	Cursor Circuit	III-4
3.1.6	Video Circuit	III-5
3.1.7	Scroll Circuit	III-6
3.1.8	Computer Interface	III-7
3.2	Switch Selectable Options	III-9

PROCESSOR TECHNOLOGY CORPORATION

VDM-1 VIDEO DISPLAY MODULE

CONTENTS

<u>SECTION</u>	<u>TITLE</u>
IV	DRAWINGS
	VDM-1 Assembly Drawing
	VDM-1 Schematic Diagram
APPENDICES	
I	Statement of Warranty
II	8080 Operating Code
III	Loading DIP Devices and Soldering Tips
IV	Integrated Circuit Pin Configurations
V	VDM-1 Terminal Software
VI	Television Interface

SECTION I

INTRODUCTION and
GENERAL INFORMATION

VDM-1 VIDEO DISPLAY MODULE



PROCESSOR TECHNOLOGY CORPORATION

VDM-1 VIDEO DISPLAY MODULE

SECTION I

1.1 INTRODUCTION

This manual supplies the information needed to assemble, test and use the VDM-1 Video Display Module. We suggest that you first scan the entire manual before starting assembly. Then make sure you have all the parts and components listed in the "Parts List" (Table 2-1) in Section II. When assembling the module, follow the instructions in the order given.

Should you encounter any problem during assembly, call on us for help if necessary. If your completed module does not work properly, recheck your assembly step by step. Most problems stem from backward installed components and/or installing the wrong component. Once you are satisfied that the module is correctly assembled, feel free to ask for our help.

1.2 GENERAL INFORMATION

1.2.1 VDM-1 Description

The VDM-1 Video Display Module is not a limited "TV Typewriter". It is an ultra-high speed computer terminal designed to operate within your Altair.

This display module generates sixteen 64 character lines from data stored in a 1024 8-bit byte on-card RAM memory (random access memory). Alphanumeric and control characters (the full 128 upper and lower case plus control ASCII character set) are displayed in a 7 x 9 dot matrix. With its EIA video output, the VDM-1 can be used with any standard video monitor. (A TV set can also be easily modified for use with the VDM-1. See Appendix VI.)

A two-port memory permits random read-write access to the screen memory from the memory bus of the CPU. Other features include:

1. Normal (white-on-black background) video display or inverted (black-on-white background) video display, switch-selectable for entire screen or program-controlled for each character.
2. Video inversion block cursor, switch-selectable blink capability, programmable for each character location.
3. Continuously adjustable display position, both vertical and horizontal.
4. Text blanking (switch selectable) from CR control character to end of line and from VT control character to end of screen, excluding CR or VT character.

PROCESSOR TECHNOLOGY CORPORATION

VDM-1 VIDEO DISPLAY MODULE

SECTION I

5. Optional blanking of all control characters (switch selectable).
6. Program-controlled scrolling of display in increments of one to 16 lines without rewriting memory.
7. "Window shade" blanking of text above desired starting location, program controllable.
8. Scroll timer on board available for test by processor.

1.2.2 Receiving Inspection

When your module arrives, examine the shipping container for signs of possible damage to the contents during transit. Then inspect the contents for damage. (We suggest you save the shipping materials for use in returning the module to Processor Technology should it become necessary to do so.) If your VDM-1 kit is damaged, please write us at once describing the condition so that we can take appropriate action.

1.2.3 Warranty Information

In brief, the parts supplied with the module, as well as the assembled module, are warranted against defects in materials and workmanship for a period of 6 months after the date of purchase. Refer to Appendix I for the complete "Statement of Warranty".

1.2.4 Replacement Parts

Order replacement parts by component nomenclature (e.g. DM8131) and/or a complete description (e.g., 6.8 ohm, $\frac{1}{2}$ watt, 5% resistor).

1.2.5 Factory Service

In addition to in-warranty service, Processor Technology also provides factory repair service on out-of-warranty products. Before returning the module to Processor Technology, first obtain authorization to do so by writing us a letter describing the problem. After you receive our authorization to return the module, proceed as follows:

1. Write a description of the problem.
2. Pack the module with the description in a container suitable to the method of shipment.
3. Ship prepaid to Processor Technology, 6200 Hollis Street, Emeryville, CA 94608.

Your module will be repaired as soon as possible after receipt and return shipped to you prepaid.

SECTION II

ASSEMBLY

and

TEST

VDM-1 VIDEO DISPLAY MODULE



PROCESSOR TECHNOLOGY CORPORATION

VDM-1 VIDEO DISPLAY MODULE

SECTION II

2.1 ASSEMBLY TIPS

1. Scan Section II in its entirety before you start to assemble the VDM-1.

2. In assembling your VDM-1, you will be following an integrated assembly-test procedure. Such a procedure is designed to progressively insure that individual sections of the module are operating correctly. IT IS IMPORTANT THAT YOU FOLLOW THE STEP-BY-STEP INSTRUCTIONS IN THE ORDER GIVEN.

3. Assembly steps and component installations are preceded by a set of parentheses. Check off each installation and step as you complete them. This will minimize the chances of omitting a step or component.

4. When installing components, make use of the assembly aids that are incorporated on the VDM-1 PC board and the assembly drawing: (These aids are designed to assist you in correctly installing the components.)

- a. The circuit reference (R3, C10 and IC20, for example) for each component is silk screened on the PC board near the location of its installation.
- b. An alphanumeric "grid", that divides the board into 90 areas, is also silk screened on the PC board. (In the assembly instructions, grid coordinates are used to define the areas in which specific components are located.)
- c. Both the circuit reference and value or nomenclature (1.5K and 7406, for example) for each component are included on the assembly drawing near the location of its installation.

5. To simplify reading resistor values after installation, install resistors so that the color codes read from left-to-right and top-to-bottom as appropriate (board oriented as defined in Paragraph 2.5).

6. Install disc capacitors as close to the board as possible.

7. Should you encounter any problem during assembly, call on us for help if needed.

2.2 ASSEMBLY PRECAUTIONS

2.2.1 Handling MOS Integrated Circuits

Several MOS integrated circuits are used in the VDM-1, and they can be damaged by static electricity discharge. Always handle

PROCESSOR TECHNOLOGY CORPORATION

VDM-1 VIDEO DISPLAY MODULE

SECTION II

MOS ICs so that no discharge will flow through the IC. Also, avoid unnecessary handling and wear cotton--rather than synthetic--clothing when handling these ICs.

2.2.2 Soldering

1. Use a low-wattage iron, 25 watts maximum.
2. Solder neatly and quickly as possible.
3. DO NOT press top of iron on pad or trace. To do so can cause the pad or trace to "lift" off the board and permanently damage it.
4. Use only 60-40 rosin-core solder. NEVER use acid-core solder or externally applied fluxes.
5. The VDM-1 uses a circuit board with plated-through holes. Solder flow through to the component side of the board can produce solder bridges. Check for such bridges after each installation.
6. The VDM-1 circuit board has an integral solder mask (green lacquer) that shields selected areas on the board. This mask minimizes the chances of creating solder shorts during assembly.
7. Additional pointers on soldering are provided in Appendix III of this manual.

2.2.3 Installing and Removing VDM-1

NEVER install the VDM-1 in, or remove it from, the computer with the power on. To do otherwise can damage the board.

2.2.4 Installing and Removing Integrated Circuits

NEVER install or remove integrated circuits with power applied to the VDM-1.

2.3 REQUIRED TOOLS, EQUIPMENT AND MATERIALS

The following tools, equipment and materials are recommended for assembling the VDM-1:

1. Needle nose pliers
2. Diagonal cutters
3. Controlled heat soldering iron, 25 watts
4. Sharp knife
5. 60-40 rosin-core solder (supplied)

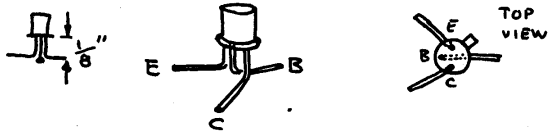
Revision C Boards: Ignore Step 2, section 2.6 (page II-3), and instead follow these instructions when installing C 34 on page II-8:

①



SCRAPE SOLDER MASK (GREEN LACQUER) FROM +SV TRACE AT C 34 (F2 CO-ORDINATE)

②



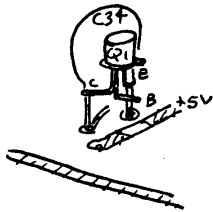
BEND LEADS OF Q1 (2N2907) AS INDICATED

③



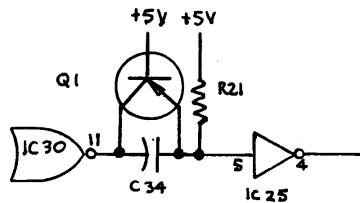
ATTACH C AND E LEADS OF Q1 TO C34 AS SHOWN.

④



INSTALL C34 AND Q1 AS SHOWN. SOLDER B LEAD OF Q1 TO +SV TRACE.

SCHEMATIC:



PROCESSOR TECHNOLOGY CORPORATION

VDM-1 VIDEO DISPLAY MODULE

SECTION II

- 6. Volt-ohm meter
- 7. Oscilloscope (optional)
- 8. IC test clip (optional)

2.4 PARTS AND COMPONENTS

Check all parts and components against the "Parts List" (Table 2-1). If you have difficulty in identifying any parts by sight, refer to Figure 2-1.

2.5 ORIENTATION

The heat sink area (large foil area) will be located in the upper righthand corner of the board when the edge connector is positioned at the bottom of the board. In this position, the component (front) side of the board is facing up. Subsequent position references assume this orientation.

2.6 ASSEMBLY-TEST PROCEDURE

Refer to assembly drawing in Section IV.

CAUTION

THIS DEVICE USES SEVERAL MOS INTEGRATED CIRCUITS WHICH CAN BE DAMAGED BY STATIC ELECTRICITY DISCHARGES. HANDLE MOS IC SO THAT NO DISCHARGE FLOWS THROUGH THE IC. AVOID UNNECESSARY HANDLING AND WEAR COTTON, RATHER THAN SYNTHETIC, CLOTHING WHEN HANDLING THESE ICs.

- () Step 1. Install sockets in locations IC1 through IC48. Each socket should be installed with its end notch oriented as indicated on the assembly drawing. Avoid creating solder bridges between pins and traces.
- () Step 2. Install Q1 (2N2907) in Area G-2. The emitter lead (closest to tab on can) is oriented toward top of board and the base lead to the left. Push straight down on transistor until it is stopped by the leads. Solder and trim.
- () Step 3. Install all resistors in numerical order in the indicated locations. Bend leads to fit distance between mounting holes, insert, pull down snug to board, bend leads outward on solder (back) side of board, solder and trim.

Refer to footnotes at the end of this step before installing flagged (*, **, #, ##, @ or @@) resistors.

PROCESSOR TECHNOLOGY CORPORATION

VDM-1 VIDEO DISPLAY MODULE

SECTION II

Table 2-1. VDM-1 Video Display Module Parts List.

<u>INTEGRATED CIRCUITS</u>			
1 4001 (IC30)	1 7406 (IC1)	4 74LS163 (IC2,20,21,22)	
2 4029 (IC26,27)	2 74LS08 (IC33,34)	1 74166 (IC3)	
2 4042 (IC31,32)	2 74LS10 (IC9,40)	3 74LS175 (IC5,6,17)	
1 4049 (IC25)	1 74LS20 (IC7)	2 8097 or 8T97 (IC38,39)	
1 MCM6574,6575 or 6576 (IC4)	1 74LS86 (IC12)	1 8131 (IC29)	
2 74LS00 (IC15,35)	3 74LS109 (IC10,13,16)	1 8836 or 8T380 (IC37)	
1 74LS02 (IC14)	1 74LS132 (IC18)	8 91L02 or 21L02 (IC41 through IC48)	
2 74LS04 (IC19,36)	1 74LS138 (IC11)	1 93L16 (IC8)	
	3 74LS157 (IC23,24,28)		
<u>REGULATORS</u>	<u>TRANSISTORS</u>	<u>DIODES</u>	<u>CRYSTALS</u>
1 340T-5.0V or 7805UC (IC49)	1 2N2907 (Q1)	1 1N5225B (D1)	1 HC-18/U (Y1), 13.478 MHz
1 78L12A (IC50)		2 1N4148 (D2,3)	
<u>RESISTORS</u>	<u>CAPACITORS</u>		
1 75 ohm, $\frac{1}{4}$ watt, 5%	1 10 pfd, disc		
2 200 ohm, $\frac{1}{4}$ watt, 5%	1 680 pfd, disc		
2 330 ohm, $\frac{1}{4}$ watt, 5%	3 .001 ufd, disc		
1 330 ohm, $\frac{1}{2}$ watt, 5%	1 .001 ufd, mylar		
1 680 ohm, $\frac{1}{2}$ watt, 5%	1 .01 ufd, mylar		
5 8.2K ohm, $\frac{1}{4}$ watt, 5%	1 .1 ufd, mylar		
3 39 K ohm, $\frac{1}{4}$ watt, 5%	31 .1 ufd, disc		
2 50 K ohm potentiometers	4 1 ufd, tantalum		
1 100 K ohm, $\frac{1}{4}$ watt, 5%	1 15 ufd, tantalum		
31 1.5K ohm, $\frac{1}{4}$ watt, 5%	1 100 ufd, 15V, electrolytic		
2 3.3M ohm, $\frac{1}{4}$ watt, 5%			
<u>MISCELLANEOUS</u>			
1 VDM-1 PC Board	1 Tie Wrap		
1 Heat Sink	1 Length Spaghetti		
48 DIP Sockets	3 6-32 Screws		
1 DIP Switch, 6 or 7 position	3 6-32 Lockwashers		
1 Length #24 Bare Wire	3 6-32 Nuts		
9" 8-conductor Ribbon Cable	1 Length Solder		
1 Length 72-ohm Coaxial Cable	1 Manual		

PROCESSOR TECHNOLOGY CORPORATION

VDM-1 VIDEO DISPLAY MODULE

SECTION II

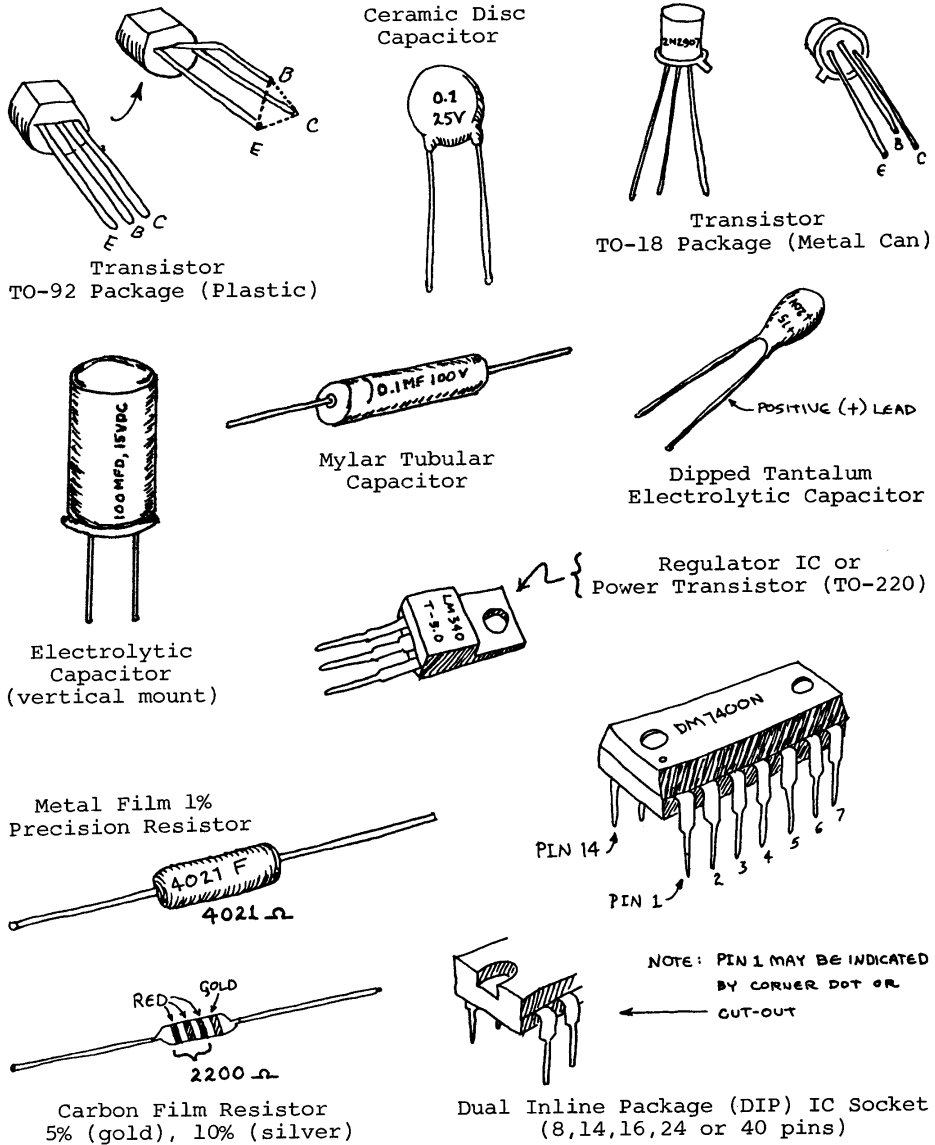


Figure 2-1. Identification of components.

PROCESSOR TECHNOLOGY CORPORATION

VDM-1 VIDEO DISPLAY MODULE

SECTION II

<u>LOCATION</u>	<u>AREA</u>	<u>VALUE (OHMS)</u>	<u>COLOR CODE</u>
() R1*	A-1	75	violet-green-black
() R2*	A-1	330 ½ watt	orange-orange-brown
() R3*	A-2	200	red-black-brown
() R4**	A-3	1.5 K	brown-green-red
() R5+	A-4	1.5 K	" " "
() R6	A-10	680 ½ watt	blue-grey-brown
() R7+	B-2	1.5 K	brown-green-red
() R8	B-2	39 K	orange-white-orange
() R9	B-4	1.5 K	brown-green-red
() R10	B-4	1.5 K	" " "
() R11	B-5,6	200	red-black-brown
() R12	B-10	1.5 K	brown-green-red
() R13	C-3,4	1.5 K	" " "
() R14	C-4	1.5 K	" " "
() R15	C-6,7	1.5 K	" " "
() R16*	D-3	330	orange-orange-brown
() R17*	D-3	330	" " "
() R18	D-3,4	1.5 K	brown-green-red
() R19+	D-4	1.5 K	" " "
() R20	D-6	1.5 K	" " "
() R21	E-1,2	3.3 M	orange-orange-green
() R22	E-1,2	8.2 K	grey-red-red
() R23	E-1,2	100 K	brown-black-yellow
() R24	E-3	3.3 M	orange-orange-green
() R25	E-4	1.5 K	brown-green-red
() R26+	E-5	1.5 K	" " "
() R27-32#	E-7,8	1.5 K	" " "
() R33##	F-1	50 K	Potentiometer
() R34*	F-2	8.2 K	grey-red-red
() R35	F-2	8.2 K	" " "
() R36@	F-1,2	1.5 K	brown-green-red
() R37	F-2	39 K	orange-white-orange
() R38	F-2,3	8.2 K	grey-red-red
() R39	F-3	39 K	orange-white-orange
() R40+	F-5	1.5 K	brown-green-red
() R41-48@@	F-7	1.5 K	" " "
() R49	F-9	1.5 K	" " "
() R50##	G-1	50 K	Potentiometer
() R51*	G-2	8.2 K	grey-red-red

NOTE

Unless noted otherwise, all resistors are ¼ watt, 5%.

- * Check for solder bridges to ground plane.
- ** Move R4 away from IC1 (Area A-2,3) toward IC2 (Area A-3,4) before soldering.
- + Be sure leads do not short traces beneath them.

PROCESSOR TECHNOLOGY CORPORATION

VDM-1 VIDEO DISPLAY MODULE

SECTION II

- # Leads at bottom of board (toward edge connector) must not short to one another.
- ## Install parallel to board with thumb wheels at top edge of board. Check for solder bridges to ground plane after installation.
- @ Take care that R35 and R36 leads do not short.
- @@ Check for solder bridges after installation.
- () Step 4. Install all capacitors in numerical order. Insert, pull down snug to board, bend leads outward on solder (back) side of board, solder and trim.

NOTE

Disc capacitor leads are usually coated with wax during the manufacturing process. After inserting leads through the mounting holes, remove the capacitor and clear the holes of any wax. Reinsert and install.

Refer to footnotes at the end of this step before installing flagged (*, **, @, @@, # or ##) capacitors.

<u>LOCATION</u>	<u>AREA</u>	<u>VALUE (UFD)</u>	<u>TYPE</u>
() C1*	A-1,2	100	Electrolytic
() C2	A-2,3	.1	Disc
() C3	A-2	.1	Disc
() C4	A-5	.1	Disc
() C5	A-7	.1	Disc
() C6	A-8	.1	Disc
() C7*	A-8	1	Tantalum, dipped
() C8*	A-9	1	Tantalum, dipped
() C9*	A-9,10	1	Tantalum, dipped
() C10	B-1	.1	Disc
() C11	B-5	.1	Disc
() C12	B-8	.1	Disc
() C13	B-10	.1	Disc
() C14	C-2	.1	Disc
() C15	C-4	.1	Disc
() C16	C-5	.1	Disc
() C17	C-9	.1	Disc
() C18	D-1	.1	Disc
() C19	D-2	10 pfd	Disc
() C20	D-2	.1	Disc
() C21**	D-3	.001	Disc
() C22@	D-4	.1	Disc
() C23	D-5	.1	Disc
() C24	D-9	.1	Disc

PROCESSOR TECHNOLOGY CORPORATION

VDM-1 VIDEO DISPLAY MODULE

SECTION II

<u>LOCATION</u>	<u>AREA</u>	<u>VALUE (UFD)</u>	<u>TYPE</u>
() C25@@	E-1,2	.01	Mylar tubular
() C26	E-7	.1	Disc
() C27#	F-2	.001	Mylar tubular
() C28##	F-2	.001	Disc
() C29##	F-3	680 pfd	Disc
() C30	F-3,4	.001	Disc
() C31	F-4	.1	Mylar tubular
() C32	F-6	.1	Disc
() C33	F-9	.1	Disc
() C34	G-2	.1	Disc
() C35	G-4	.1	Disc
() C36	G-5	.1	Disc
() C37	G-9	.1	Disc
() C38	G-10	.1	Disc
() C39*, **	H-1	15	Tantalum, dipped
() C40	H-1	.1	Disc
() C41*, **	H-2	1	Tantalum, dipped
() C42	J-5	.1	Disc
() C43	J-7	.1	Disc
() C44	J-8	.1	Disc
() C45	J-9	.1	Disc

* Take care to observe polarity.

** Check for solder bridges to ground plane.

@ Check that C22 lead doesn't short to R19 (Area D-4). Move R19 lead as required.

@@ Do not center C25 between mounting holes. Position it so the capacitor is closer to the top mounting hole and the resulting longer lead at the bottom end.

Check that C27 lead doesn't short to R36 (Area F-1,2). Move R36 lead as required.

Be careful not to interchange C28 and C29.

() Step 5. Install diode D1 (1N5225B) in Area A-10. Position D1 so that its band mark (cathode) is on the righthand side. Solder and trim leads.

() Step 6. Install diodes D2 and D3 (1N4148) in Area E-1,2. Position these diodes with the band mark (cathode) at top of board. Solder and trim leads.

() Step 7. Install heat sink in Area H,J-1,2,3,4. Position the large, black heat sink (flat side to board) over the square foil area in the upper right corner. Orient the sink so that the triangle of holes is under one of the triangular cut-outs in the sink. Using two 6-32 screws, nuts, and lockwashers, attach the heat sink to the board. Insert screws from back (solder) side of board. (See Figure 2-2.)

PROCESSOR TECHNOLOGY CORPORATION

VDM-1 VIDEO DISPLAY MODULE

SECTION II

- () Step 8. Install IC49 (340T-5.0V or 7805UC) in Area J-1,2,3. Position IC49 on heat sink and observe how the leads must be bent to fit the mounting holes. Note that the center lead (3) must be bent downwards at a point approximately 0.2 inches further from the body than the other leads. Bend the leads so that no contact is made with the heat sink when IC49 is flat against the sink and its mounting hole is aligned with the hole in the sink. Fasten IC49 to sink using 6-32 screw, lockwasher and nut. Insert screw from back (solder) side of board. Solder and trim leads. (See Figure 2-2.)

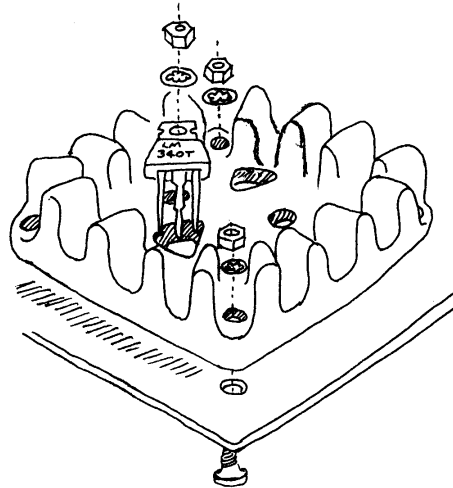


Figure 2-2. Heat sink and IC49 installation.

- () Step 9. Install IC50 in Area A-9. (See detail drawing on component location diagram.) Install IC50 with flat facing left. Bend center lead back to fit into mounting hole. Push straight down until the IC is stopped by its leads. Solder and trim leads.
- () Step 10. Install crystal Y1 in Area D-1,2. (See detail drawing on component location diagram.)
- () Install Y1 so that it lies flat against board as shown (case at top of board), solder leads and trim. Using a piece of excess crystal lead, ground the crystal case as indicated in the detail drawing. First solder on the back side of board. Then solder the lead to the crystal case. (See CAUTIONS on Page II-10.)

PROCESSOR TECHNOLOGY CORPORATION

VDM-1 VIDEO DISPLAY MODULE

SECTION II

CAUTION 1

SOLDER QUICKLY SO THAT EXCESSIVE HEAT
WILL NOT BE APPLIED TO CRYSTAL.

CAUTION 2

THE CRYSTAL GROUND LEAD MUST NOT SHORT
TO TOP TRACE ON BACK (SOLDER) SIDE OF
BOARD. IF THIS SHORT DOES EXIST, THE
COMPUTER FUSE WILL BLOW.

- () Step 11. Check that crystal Y1 ground is not shorted to top trace on back (solder) side of board. Use an ohmmeter to measure the resistance between the top trace on the back side of the board and the crystal case. You should measure some resistance. Zero resistance indicates a solder bridge. Correct the condition.

Proceed to Step 12 if you measure some top trace-to-crystal case resistance.

- () Step 12. Check regulator operation. This check is made to prevent potential subsequent damage to the ICs from incorrect voltages.
- () Install VDM-1 in computer. (The use of a Processor Technology EXB Extender Board is recommended.)

CAUTION

NEVER INSTALL OR REMOVE CIRCUIT BOARD
WITH POWER ON. TO DO OTHERWISE CAN
DAMAGE THE BOARD.

- () Turn power on and make the following voltage measurements:

<u>MEASUREMENT POINT</u>	<u>AREA</u>	<u>VOLTAGE</u>
Pin 3 of IC50	A-8,9	12 vdc \pm 5%
Anode of D1	A-10	-3 vdc \pm 10%
Pin 14 of IC1	A-2	5 vdc \pm 5%

- () If any voltages are incorrect, determine and correct the cause before proceeding. Especially check for solder shorts.

If voltages are correct, go on to Step 13.

- () Step 13. Install jumper in Area D,E-9. Cover a piece of excess resistor lead with $\frac{1}{4}$ " spaghetti, bend to fit holes, insert, solder and trim.

PROCESSOR TECHNOLOGY CORPORATION

VDM-1 VIDEO DISPLAY MODULE

SECTION II

- () Step 14. Install coaxial cable in Area A,B-1. (See Figure 2-3 for details on how to prepare cable.)
- () Strip away approximately $1\frac{1}{4}$ " of the outer insulation to expose the shield. Unbraid shield, gather and twist into a single lead. Then strip away the inner conductor insulation, leaving about $1/4$ " at the shield end.

CAUTION

WHEN PREPARING AND INSTALLING SHIELD, BE SURE BITS OF BRAID DO NOT FALL ON-TO BOARD. SUCH DEBRIS CAN CREATE HARD-TO-FIND SHORT CIRCUITS.

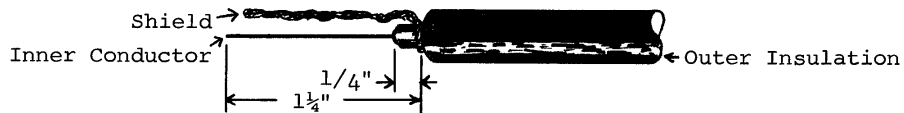


Figure 2-3. Coaxial cable preparation.

- () Insert inner conductor in indicated mounting hole, solder and trim. Solder shield to ground plane and trim. Install tie wrap as shown.

CAUTION

AFTER INSTALLATION, FINE BITS OF THE BRAID FROM THE SHIELD MAY WORK LOOSE AND FALL ONTO THE BOARD AND CREATE HARD-TO-FIND SHORT CIRCUITS. TO PREVENT THIS, COAT ALL EXPOSED BRAID WITH AN ADHESIVE AFTER SOLDERING AND BEFORE TIEING. USE AN ADHESIVE SUCH AS SILICONE, CONTACT CEMENT OR FINGER-NAIL POLISH. DO NOT USE WATER BASE ADHESIVES.

- () Step 15. Install DIP Switch in Area B-1,2. Position it so Switch No. 1 is at left end of pad. As you will note, the DIP Switch pad is designed to accommodate a 7-position switch. If a 6-position (12 pin) switch is supplied, position it as far to the left as possible. (The two holes to the right will be unused in this case.) If a 7-position (14 pin) switch is supplied, remember that Switch No. 7 is not used.

NOTE

The function of the DIP switches is defined in Section III of this manual.

PROCESSOR TECHNOLOGY CORPORATION

VDM-1 VIDEO DISPLAY MODULE

SECTION II

- () Step 16. Install the following ICs in the indicated locations. Pay careful attention to the proper orientation.

NOTE

Dots on the assembly drawing and PC board indicate the location of pin 1 of each IC.

<u>IC NO.</u>	<u>AREA</u>	<u>TYPE</u>
() IC1	A-2,3	7406
() IC2	A-3,4	74LS163
() IC7	B-3	74LS20
() IC8	B-4,5	93L16
() IC9	B-6,7	74LS10
() IC14	C-4,5	74LS02
() IC15	C-6	74LS00
() IC16	C-7	74LS109
() IC19	D-3,4	74LS04
() IC20	D-5	74LS163
() IC21	D-6	74LS163
() IC22	D-7	74LS163

- () Step 17. Check timing chain operation. If you do not have an oscilloscope, proceed to Step 18.

- () Install VDM-1 in computer. (The use of a Processor Technology EXB Extender Board is recommended.)

CAUTION

NEVER INSTALL OR REMOVE CIRCUIT BOARD WITH POWER ON.

- () Turn power on. Using an oscilloscope, check for the waveforms given in Figure 2-4 at the indicated observation points and in the order given. The waveforms shown in Figure 2-4 approximate actual waveforms. If any waveforms are incorrect, determine and correct the cause. Especially check for solder bridges and incorrectly installed ICs.

NOTE

Irregularities up to 1 volt are acceptable on positive portions of waveforms. Negative portions, however, should be relatively flat.

If all waveforms are correct, proceed to Step 18.

PROCESSOR TECHNOLOGY CORPORATION

VDM-1 VIDEO DISPLAY MODULE

SECTION II


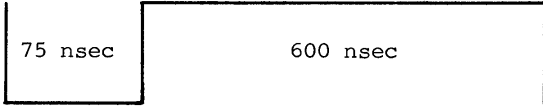

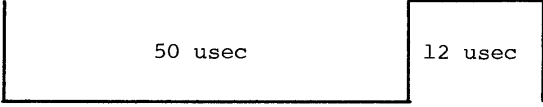


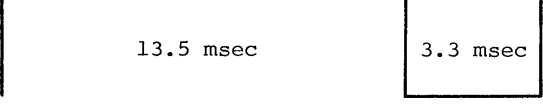
<u>CHECK POINT</u>	<u>AREA</u>	<u>WAVEFORM</u>
() IC19, pin 3	D-3,4	13.5 MHz square wave. (This is not a perfect square wave. It in fact more resembles a poor sine wave.)
() IC19, pin 11	D-3,4	
() IC19, pin 13	D-3,4	
() IC22, pin 11	D-7	
() IC21, pin 11	D-6	
() IC2, pin 11	A-3,4	
() IC8, pin 11	B-4,5	
() IC16, pin 10	C-7	

Figure 2-4. Timing Waveforms

PROCESSOR TECHNOLOGY CORPORATION

VDM-1 VIDEO DISPLAY MODULE

SECTION II

- () Step 18. Install the following ICs in the indicated locations. Observe the same general instructions given in Step 16.

<u>IC NO.</u>	<u>AREA</u>	<u>TYPE</u>
() IC12	C-2	74LS86
() IC25*	E-3	4049
() IC30*	F-3	4001

*MOS devices. Refer to CAUTION on Page II-3.

- () Step 19. Check synchronization circuits.

- () Set DIP Switch as follows:

Switch No. 1: ON
All other switches: OFF

- () Install VDM-1 in computer. Observe CAUTION given in Step 17. Then connect VDM-1 to video monitor.
- () Set R33 (VERT) and R50 (HORIZ) on the VDM-1 to their mid-range settings. Turn computer and monitor on.

NOTE

In making this check, the Horizontal Hold Control on monitor may always be readjusted to center display.

- () The display raster will be pulled in. Using the monitor vertical hold, you should be able to obtain a slow roll (black horizontal bar moves slowly down the screen) and a stationary raster. Using the monitor horizontal hold, you should be able to adjust for an out of sync raster (numerous black lines cutting across the raster) and a stable raster. If you do not observe these conditions, try adjusting R33 and R50 on the VDM-1. If you are still unable to obtain the indicated conditions, determine and correct the cause before proceeding.

NOTE

For a stable presentation, a few monitors--especially modified TV sets---may require a higher sync amplitude than that supplied by the VDM-1. In such cases, increase sync amplitude by reducing value of R2 (Area A-1). DO NOT DECREASE R2 BELOW 225 OHMS.

PROCESSOR TECHNOLOGY CORPORATION

VDM-1 VIDEO DISPLAY MODULE

SECTION II

- () If the aforementioned vertical and horizontal conditions are realized, turn Switch No. 1 OFF and Switch No. 2 ON. The monitor screen should darken, and you should be able to obtain the previously described vertical and horizontal conditions. If operation is not as described after turning Switch No. 1 OFF and Switch No. 2 ON, determine and correct the cause.

If the synchronization circuits are operating correctly, proceed to Step 20.

- () Step 20. Install the following ICs in the indicated locations. Observe the same general instructions given in Step 16.

<u>IC NO.</u>	<u>AREA</u>	<u>TYPE</u>
() IC3	A-4,5	74166
() IC4*	A-6,7	MCM6575,6576 or 6574
() IC5	A-8	74LS175
() IC6	A-9	74LS175
() IC17	C-8	74LS175

*MOS devices. Refer to CAUTION on Page II-3.

CAUTION 1

TO INSURE THAT IC4 WILL NOT BE DAMAGED BY STATIC DISCHARGE, GROUND YOURSELF TO COMPUTER CHASSIS, REMOVE IC4 FROM PACKAGE AND INSTALL ON VDM-1 BOARD.

CAUTION 2

IC4 IS A CERAMIC PACKAGE AND FRAGILE. USE AN EVENLY DISTRIBUTED, EASY PRESSURE WHEN LOADING IC4.

CAUTION 3

PIN 1 ON IC4 IS INDICATED BY A RAISED BUMP ON TOP OF THE IC. TAKE CARE TO LOAD IT CORRECTLY.

- () Step 21. Check video circuits and character generator (IC4).

- () Using wire jumpers and tack soldering technique, make the following TEMPORARY connections:

IC15 (Area C-6): Pin 2 to 7
IC17 (Area C-8): Pin 5 to 8
Pin 4 of IC7 (Area B-3) to pin 1 of IC8 (Area B-4,5)

PROCESSOR TECHNOLOGY CORPORATION

VDM-1 VIDEO DISPLAY MODULE

SECTION II

- () Set up DIP Switch as follows:
 - Switches No. 2 and 5: ON
 - All other switches: OFF
- () Install VDM-1 in computer. Observe CAUTION in Step 17. Then connect VDM-1 to video monitor.
- () Adjust R33 and R50, and monitor Horizontal Hold Control if required, to center pattern on screen. Check for 16 lines of 64 white dashes (actually ASCII underscore characters) on black background. (See Figure 2-4.)
- () Set Switch No. 1 to ON and Switch No. 2 to OFF. Check for 16 lines of 64 black dashes (ASCII underscores) on white background. (See Figure 2-5.)
- () Set Switch No. 3 to ON. Check for 16 lines of 64 black dashes (ASCII underscores) on white background surrounded by black frame. (See Figure 2-6 on Page II-18.)
- () Set Switch No. 3 to OFF and Switch No. 4 to ON. Black frame in preceding presentation should disappear and entire display should blink.
- () Set Switch No. 1 and No. 4 to OFF and Switch No. 2 and No. 3 to ON. Check for 16 lines of 64 white dashes (ASCII underscores) on black background surrounded by white frame. (See Figure 2-7 on Page II-18.)
- () Set Switch No. 3 to OFF and Switch No. 4 to ON. White frame in preceding presentation should disappear and entire display should blink.
- () If your VDM-1 fails to pass any of the preceding tests, DO NOT PROCEED BEYOND THIS STEP without determining and correcting the problem.
- () If your VDM-1 passes all of the preceding tests, REMOVE TEMPORARY JUMPERS installed at beginning of this step and go on to Step 22.
- () Step 22. Install remaining ICs in the indicated locations. Observe the same general instructions given in Step 16.

<u>IC NO.</u>	<u>AREA</u>	<u>TYPE</u>
() IC10	B-7,8	74LS109
() IC11	B-9	74LS138
() IC13	C-3	74LS109
() IC18	C-9,10	74LS132
() IC23 & 24	D-8,9,10	74LS157

PROCESSOR TECHNOLOGY CORPORATION

VDM-1 VIDEO DISPLAY MODULE

SECTION II

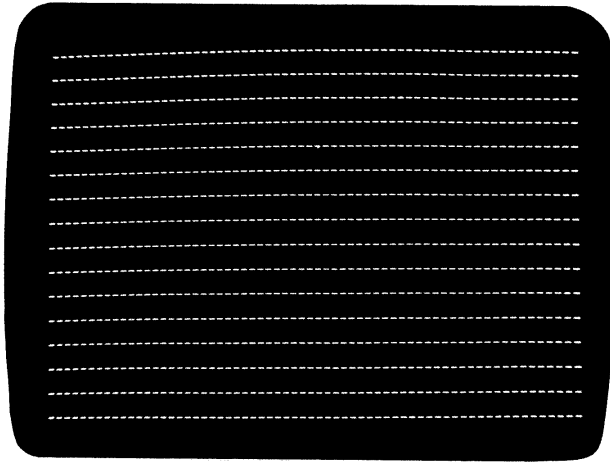


Figure 2-4. Video circuit check: SW2 & 5 ON, SW1,3,4 & 6 OFF.

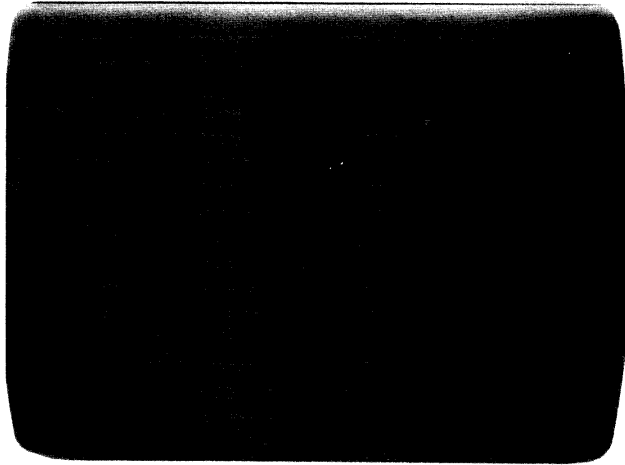


Figure 2-5. Video circuit check: SW1 ON, SW2 OFF.

PROCESSOR TECHNOLOGY CORPORATION

VDM-1 VIDEO DISPLAY MODULE

SECTION II

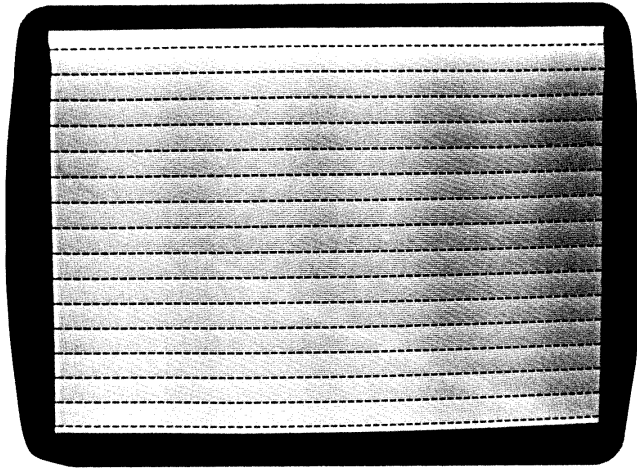


Figure 2-6. Video circuit check: SW1 & 3 ON, SW2 OFF.

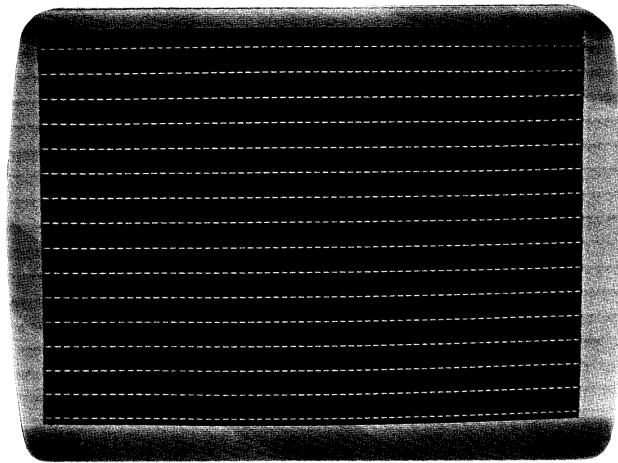


Figure 2-7. Video circuit check: SW1 & 4 OFF, SW2 & 3 ON.

PROCESSOR TECHNOLOGY CORPORATION

VDM-1 VIDEO DISPLAY MODULE

SECTION II

<u>IC NO.</u>	<u>AREA</u>	<u>TYPE</u>
() IC26 & 27*	E-4,5	4029
() IC28	E-6	74LS157
() IC29	E-9	8131
() IC31 & 32*	F-4,5,6	4042
() IC33 & 34	F-8,9,10	74LS08
() IC35	G-3	74LS00
() IC36	G-4,5	74LS04
() IC37	G-5,6	8836 or 8T380
() IC38 & 39	G-8,9,10	8097 or 8T97
() IC40	H-1,2,3	74LS10
() IC41 thru 48*	H,J-5,6,7,8,9	91L02 or 21L02

*MOS device. Refer to CAUTION on Page II-3.

- () Step 23. Set VDM-1 address. The Software included with the VDM-1, as well as future releases, requires setting the VDM memory address to CC00 (hex) and the I/O control port to C8 (hex). To connect the VDM for these "standard" address assignments, wire jumpers as shown in Figure 2-8.

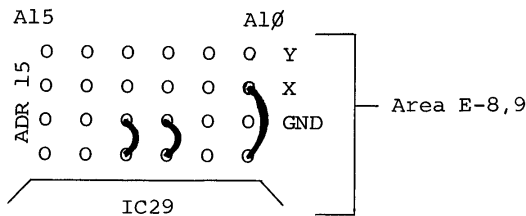


Figure 2-8. VDM-1 address jumpers, "standard" address assignments.

Should you wish to set your VDM-1 for other than the "standard" address assignments, proceed as follows: (Refer to Figure 2-9.)

- () 1. Write down port address in binary form (ADR0-7). ADR0 and 1 must always be zero.
- () 2. Write down six-bit memory page address in binary form (ADR10-15) directly below port address. Place bit 15 below bit 7, bit 14 below bit 6 and so forth.
- () 3. Connect address selection jumpers in Area E-8,9 according to the following rules:
 - a. If both bits in a column (bits 6 and 14, for example) are "1", no jumper is installed.

PROCESSOR TECHNOLOGY CORPORATION

VDM-1 VIDEO DISPLAY MODULE

SECTION II

- b. If both bits in a column (bits 4 and 12, for example) are "0", install a jumper between the corresponding output of IC29 and ground (GND).
- c. If the port and memory page address bits in a column are "1" and "0" respectively (bits 7 and 15, for example), install a jumper between the corresponding output of IC29 and the Y row.
- d. If the port and memory address bits in a column are "0" and "1" respectively (bits 5 and 13, for example), install a jumper between the corresponding output of IC29 and the X row.

Figure 2-9 illustrates the preceding procedure assuming a port address of C4 (hex) and a memory page address of 6400 (hex).

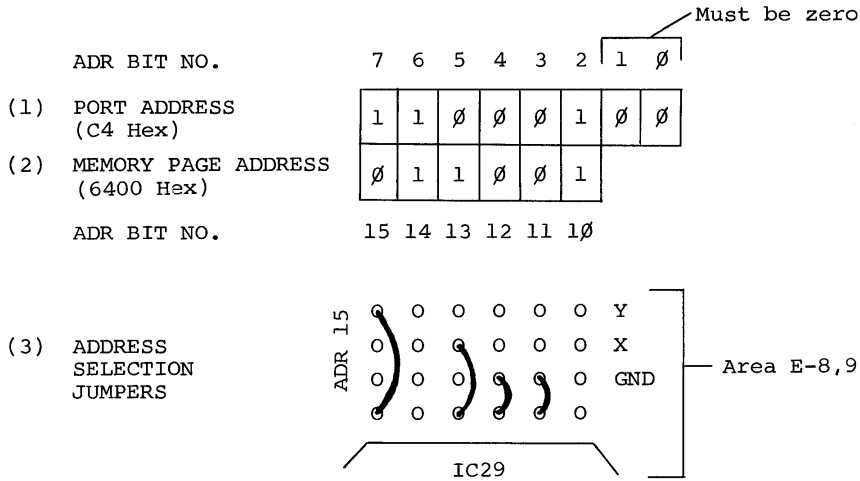


Figure 2-9. Procedure for setting VDM-1 for other than "standard" address assignments.

- () Step 24. Install ready jumper (J2) in Area C-10.
- () If your Altair has been modified so that the ready driver on the display board is connected to Bus Pin 3, install a jumper between J2 and PRDY.
- () If this modification has not been made, jumper J2 to XRDY.

PROCESSOR TECHNOLOGY CORPORATION

VDM-1 VIDEO DISPLAY MODULE

SECTION II

- () Step 25. Install 9-inch length of 8-conductor ribbon cable on front (component) side of board between J1 in Area A-10 and J1 in Area J,H-10.
- () To insure correct terminal-to-terminal interconnection, make a fold midway between the cable ends to form an inverted V. Figure 2-10 clearly illustrates this technique.

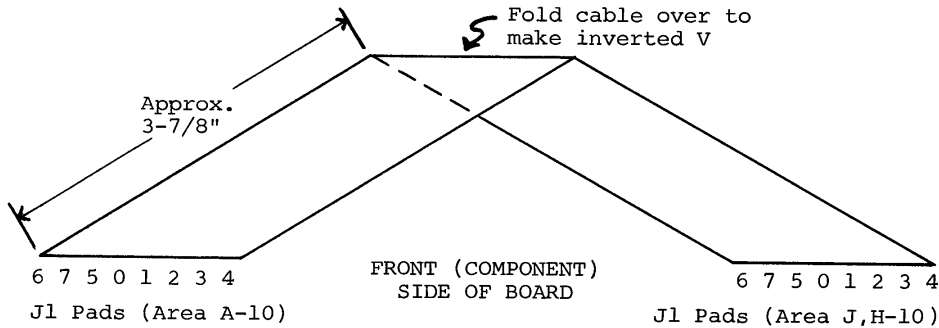


Figure 2-10. 8-conductor ribbon cable installation.

2.7 FINAL TEST PROCEDURES

2.7.1 VDM-1 DIP Switch Settings

- () Set Switches 2, 3, 5 and 6 to ON.
- () Set Switches 1 and 4 to OFF.

NOTE

With above settings, the VDM-1 is configured for normal video display (white on black background), non-blinking cursor, and unblanked control characters.

2.7.2 VDM-1 Installation

- () Install VDM-1 in computer and connect VDM-1 to video monitor. Turn monitor on. Hold STOP Switch on and turn computer on. (This keeps computer from coming on in run mode and insures a random display for scroll test.

CAUTION

NEVER INSTALL OR REMOVE VDM-1 WITH COMPUTER POWER ON.

PROCESSOR TECHNOLOGY CORPORATION

VDM-1 VIDEO DISPLAY MODULE

SECTION II

NOTE

Each time the VDM-1 is placed into operation, a random (garbled) display may appear on the screen. This is normal.

2.7.3 VDM-1 Status Initialization

- () Enter following program into computer memory beginning at address zero.

HEX ADDRESS	OP CODE	LINE NO.	MNEMONIC	
0000	3E 00	0005	MVI A, 00H	*LOAD ACCUMULATOR
0002	D3 C8	0010	OUT C8H	*OUTPUT TO VDM PORT
0004	C3 00 00	0015	JMP 0	*LOOP

- () Execute this program by turning on the RUN Switch and then flipping it quickly back to STOP. This program initializes the VDM-1 to display all sixteen lines.

2.7.4 Scroll and Status Change Test

The purpose of this test is twofold: 1) it checks scrolling operation, and 2) it allows you to become familiar with the operation of the VDM-1 status control port.

- () Change first two bytes of program in Paragraph 2.7.3 to DB and FF hexadecimal. Also set the eight Sense Switches on your Altair or IMSAI front panel to OFF (zero). The program, if run continuously, will now output the Sense Switch data to the VDM-1 status control port.
- () With all eight Sense Switches OFF, a full 16 line by 64 character display (1024 characters) should appear on the screen. Note contents of first line in display. Call this line A.
- () As shown in Figure 2-11, Sense Switches 0 through 3 define the first display line in memory. Set Sense Switch 0 to ON (one). First line (A) in preceding display should shift to bottom of screen and the others should move up one line. Try various combinations of Sense Switches 0 through 3 and note where first line (A) appears in display. Once you are familiar with how Sense Switches 0 through 3 affect the display, set them to OFF.
- () As shown in Figure 2-11, Sense Switches 4 through 7 determine the first displayed screen position. Set these four switches to ON. Only the bottom line on the screen

PROCESSOR TECHNOLOGY CORPORATION

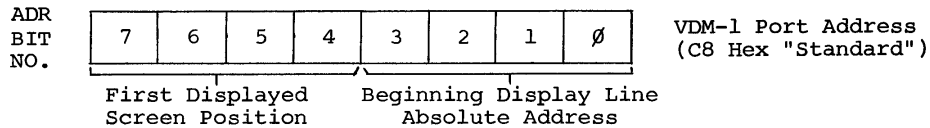
VDM-1 VIDEO DISPLAY MODULE

SECTION II

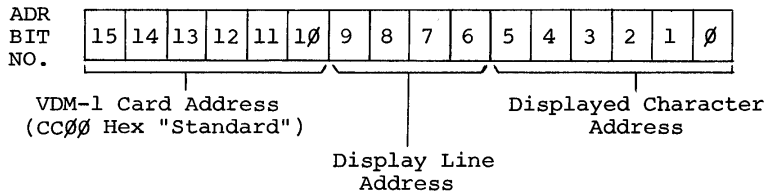
should be displayed. Try various combinations of Sense Switches 4 through 7. As each switch is changed, the display should appear to move up and down the screen with a black area above it. The first line on display, regardless of its vertical position on the screen, should remain the same.

- () After becoming familiar with how Sense Switches 4 through 7 affect the display, try different combinations of all the Sense Switches. Do this until you are familiar with the various ways in which "scrolling" can be performed.

VDM-1 Status Port Bit Functions



VDM-1 Address Allocation



NOTE: Character addresses always correspond to actual screen display position. Depending on status port control word, the line address may or may not correspond to the screen position.

Figure 2-11. VDM-1 status port bit functions and address allocation.

2.7.5 Hardware-Software Function Test

This test checks all VDM-1 hardware-software functions.

- () Enter following program into computer memory beginning at address zero.

PROCESSOR TECHNOLOGY CORPORATION

VDM-1 VIDEO DISPLAY MODULE

SECTION II

HEX ADDRESS	OP CODE	LINE NO.	MNEMONIC	
0000	3E 00	0010	MVI A,0	*INIT. SCREEN TO SHOW ALL 1024 CHARACTERS
0002	D3 C8	0020	OUT 0C8H	
0004	21 00 CC	0030	LXI H,0CC00H	*INIT. SCREEN POINTER
0007	06 00	0040	MVI B,0	
0009	05	0050	LOOP DCR B	*COUNT DOWN
000A	70	0060	MOV M,B	*PUT (B) ON SCREEN
000B	23	0070	INX H	*INCREMENT SCREEN POINTER
000C	7C	0080	MOV A,H	
000D	FE D0	0090	CPI 0D0H	*COMPARE POINTER WITH END OF SCREEN
000F	C2 09 00	0100	JNZ LOOP	
0012	3E 20	0110	MVI A,20H	*PUT "SPACE" IN (A)
0014	32 00 CC	0120	STA 0CC00H	*MOVE (A) TO SCREEN
0017	32 74 CC	0130	STA 0CC74H	*MOVE (A) TO SCREEN
001A	32 F2 CC	0140	STA 0CCF2H	*MOVE (A) TO SCREEN
001D	76	0150	HLT	*WE'RE DONE!

() Set all eight Sense Switches on your Altair or IMSAI to OFF (zero) and turn RUN Switch on. The display shown in Figure 2-12 should appear on the screen. Three character positions in this display are blanked to provide reference points. They are as follows:



Figure 2-12. VDM-1 hardware-software test pattern (6574 character generator).

PROCESSOR TECHNOLOGY CORPORATION

VDM-1 VIDEO DISPLAY MODULE

SECTION II

1. The first character in the first display line is blanked to identify the first line in the display.
 2. The VT control character (character position 53) in the second display line is blanked to permit a CR blanking test.
 3. The CR control character (character position 51) in the fourth display line is blanked to permit a VT blanking test.
- () Set DIP Switches 1 to ON and 2 to OFF. You should have the same display as shown in Figure 2-12.
- () Set DIP Switch 2 on VDM-1 to OFF and Switch 1 to ON in that order. A reversed video equivalent of the display shown in Figure 2-12 should appear on the screen. That is, the first two display lines will be white on black, the third and fourth lines will be black on white, etc.

NOTE

DIP Switches 1 and 2 should never be on at the same time.

- () Return DIP Switch 1 to OFF and Switch 2 to ON in that order.
- () Set DIP Switch 3 to OFF and Switch 4 to ON in that order. The entire display shown in Figure 2-12 should blink.

NOTE

DIP Switches 3 and 4 should never be on at the same time.

- () Return DIP Switch 4 to OFF and Switch 3 to ON in that order.
- () Set DIP Switch 5 to OFF. The VDM-1 is now configured to blank all control characters. Text blanking from CR to end of line and VT to end of screen is also enabled. The display shown in Figure 2-13 should appear on the screen.

As can be seen, the control characters (character positions 33 through 51) in the second display line are blanked out. Text blanking from, but not including, the CR control character (character position 51) to the end of line accounts for the remaining blanked portion of the line. VT blanking begins with the 54th character position in the fourth display line and blanks out the remainder of the screen.

PROCESSOR TECHNOLOGY CORPORATION

VDM-1 VIDEO DISPLAY MODULE

SECTION II

- () Return DIP Switch 5 to ON and set Switch 6 to OFF. The VDM-1 is now configured to display control characters. Text blanking from CR to end of line and VT to end of screen is also enabled. The display shown in Figure 2-14 should appear on the screen.

As can be seen, the second line is blanked from, but not including, the CR control character to the end of the line. The CR control character as well as the other control characters preceding it are displayed. Again, VT blanking acts on the last 11 character positions in the fourth line as well as on all the following lines. The VT control character and the control characters preceding it in the fourth line are displayed.

- () Return DIP Switch 6 to ON.
- () At this point, if desired, you can put the VDM-1 through its scrolling paces by using the Sense Switches.

2.7.6 Character Generator Test

This test is provided for two purposes: 1) it allows you to check the character generator in the VDM-1 by displaying each character individually, and 2) it gives you an opportunity to become familiar with the ASCII code.

- () Set DIP Switches on VDM-1 as follows:

Switch No. 1 and 4: OFF
All other switches: ON

- () Enter following program into computer memory beginning at address zero.

HEX ADDRESS	OP CODE	LINE NO.	MNEMONIC	
0000	3E 00	0010	MVI A,0	*CLEAR A
0002	D3 C8	0020	OUT 0C8H	*OUTPUT VDM PORT (STATUS)
0004	DB FF	0030	IN 0FFH	*INPUT SENSE SWITCHES
0006	47	0040	REDO MOV B,A	
0007	3E D0	0050	MVI A,0D0H	
0009	21 00 CC	0060	LXI H,0CC00H	*INITIALIZE SCREEN POINTER
000C	70	0070	MOVE MOV M,B	
000D	23	0080	INX H	*INCREMENT SCREEN POINTER
000E	BC	0090	CMP H	*COMPARE POINTER

(Program continued on Page II-28.)

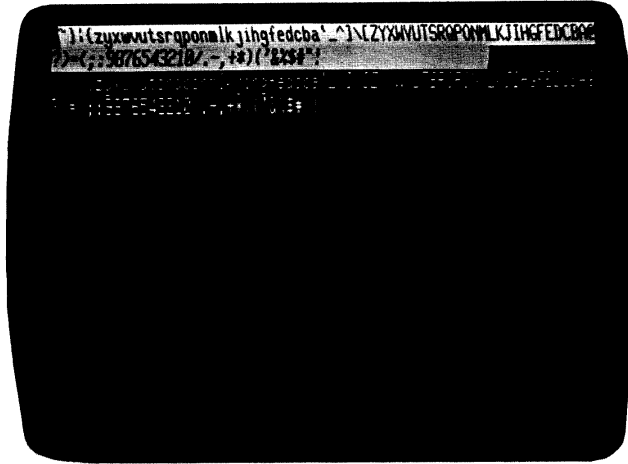


Figure 2-13. Control character and text (VT-CR) blanking (6574 character generator).

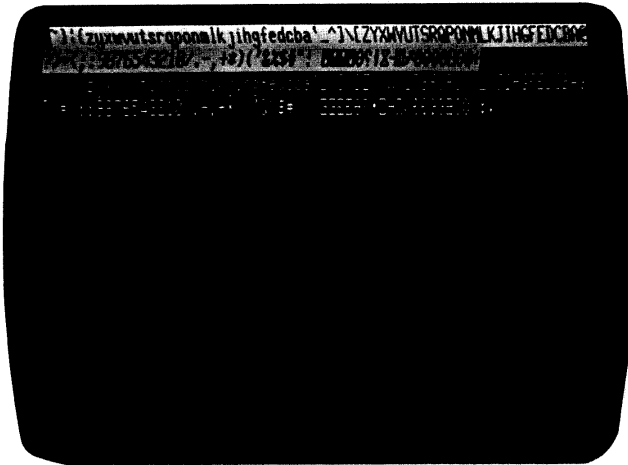


Figure 2-14. Text (VT-CR) blanking (6574 character generator).

PROCESSOR TECHNOLOGY CORPORATION

VDM-1 VIDEO DISPLAY MODULE

SECTION II

<u>HEX ADDRESS</u>	<u>OP CODE</u>	<u>LINE NO.</u>	<u>MNEMONIC</u>
000F	C2 0C 00	0100	JNZ MOVE
0012	DB FF	0110	INPUT IN 0FFH *INPUT SENSE SWITCHES
0014	B8	0120	CMP B *COMPARE TO B
0015	CA 12 00	0130	JZ INPUT
0018	C3 06 00	0140	JMP REDO *LOOP

- () Turn RUN Switch on. The first seven Sense Switches (0 through 6) on your Altair or IMSAI may now be used to address each character in the VDM-1 character generator, for their setting is the binary representation of the addressed ASCII character.

NOTE

The position of the eighth Sense Switch (7) determines whether the cursor is on or off.

- () Using Sense Switches 0 through 6, individually address each of the 128 ASCII characters. (Refer to Figures 3-1A, B and C in Section III for ASCII code.)

For example, setting Sense Switches 0 and 6 to "1" and Sense Switches 1 through 5 to "Q" will address the character "A" (ASCII code 10000001). A full screen (16 lines by 64 characters) of A's should appear on the screen.

Setting Sense Switches 0, 2, 4 and 5 to "1" and Sense Switches 1, 3 and 6 to "Q" will cause a 5 (ASCII code 0110101) to be displayed.

SECTION III

THEORY OF OPERATION

VDM-1 VIDEO DISPLAY MODULE



PROCESSOR TECHNOLOGY CORPORATION

VDM-1 VIDEO DISPLAY MODULE

SECTION III

3.1 THEORY OF OPERATION

The VDM-1 can be broken down into eight functional sections: timing, synchronization and blanking, memory, character generation, cursor, video, scroll and computer interface. For the following discussions, refer to the VDM-1 schematic diagram in Section IV.

3.1.1 Timing

Two inverter gates (IC19)--connected as a high-gain non-inverting amplifier--and crystal Y1 form a crystal-controlled 13.5 MHz DOT CLOCK. This frequency defines the period of one dot in a character display matrix. DOT CLOCK is applied to a binary counter (IC20) which is preset to count seven to divide DOT CLOCK by nine. Two 1.5 MHz outputs are supplied by IC20: LOAD CLOCK and CHARACTER CLOCK. The former is a low-active signal of one DOT CLOCK duration; the latter is a square wave that is high and low for four and five DOT CLOCK periods respectively. Both the LOAD and CHARACTER CLOCK low-to-high transitions occur synchronously to the same DOT CLOCK transition.

CHARACTER CLOCK, which defines the period for one character, is counted down in IC22 and 21, both of which are 4-bit binary counters. IC22 counts from 0 to 15 and provides a carry output to enable IC21. IC21 is preset to count 3 and reset at count 9 by the output of NAND gate IC15. Thus IC21 cycles through six counts, with each count representing 16 CHARACTER CLOCK pulses.

Reset of IC21 defines the lefthand margin of the display, counts 4 through 7 define successive groups of 16 character positions, count 8 defines the righthand display margin, and count 9 defines the first CHARACTER CLOCK in the lefthand margin of the display.

The outputs of IC22 provide the four lower address bits of the character position on display. The two least significant outputs from IC22 supply the two high order address bits. Q_D (pin 11) and Q_C (pin 12) of IC21 are SCAN ADVANCE and HDISP (horizontal display) respectively. The former is used to generate horizontal synchronization signals, and the latter defines the start of a horizontal scan line.

On count 9 of IC21, the output of NAND gate IC15 also enables IC2, the scan divider. IC2 counts the horizontal scan lines that make up a row of characters and supplies the line number to the character generator ROM, IC4. IC2 is preset to count 15 for the first scan line in the row. With this line count, the character generator provides a blank spacer line between the preceding and current character rows. IC2 then counts from 0 to 11 lines. At the end of the 11th count, a decoder comprised of IC14 and 7 supplies a load pulse to IC2 which resets it to count 15.

PROCESSOR TECHNOLOGY CORPORATION

VDM-1 VIDEO DISPLAY MODULE

SECTION III

This load pulse, after inversion, becomes the OVERFLOW LINE signal. OVERFLOW LINE enables the character row divider, IC8. IC8 resets itself with its carry output through IC9, with the reset count being determined by the state of IC16, the vertical display (VDISP) flip-flop. If IC16 is cleared, IC8 is reset to count 0; if IC16 is set, IC8 is reset to count 12. Thus IC8 counts four or 16 character rows when IC16 is set or cleared respectively during load. The total of 20 character rows (260 scan lines) represents a full field on the display raster.

3.1.2 Synchronization and Blanking

Horizontal and vertical synchronization signals are generated by two one-shot multivibrators consisting of three two-input NOR gates in IC30 and two inverters in IC25. Horizontal sync is triggered by SCAN ADVANCE and vertical sync by VDISP. Both circuits generate fixed-length sync pulses with adjustable starting times. C27 and C25 determine the length of the horizontal and vertical sync pulses respectively. The starting times with respect to triggering, are variable with R50 (HORIZ) and R33 (VERT) to provide continuous adjustment of the display position on the raster. An exclusive OR-gate in IC12 combines the two sync pulses into a composite sync (COMP SYNC) signal. Note that the use of the exclusive OR inverts the horizontal sync pulses when the vertical sync pulse appears. Since vertical sync information is extracted in the monitor by an integrating, or averaging, process, this technique maintains horizontal synchronization during the vertical sync period.

Two types of blanking are available in the VDM-1: control character blanking and video blanking. The former blanks control characters and causes cursor information to be displayed in their place. Video blanking forces portions of the video display to a white or black level, depending on whether normal or reverse video is selected with SW1 and SW2. (See Paragraph 3.2.)

Control character blanking, switch selectable with SW5 and SW6, is accomplished with one gate in IC14 and one gate in IC15. When a control character is present in the data latch (IC5 and 6), IC14 is satisfied. Assuming the blanking option is selected, the output of IC14 is gated with LOAD CLOCK in IC15 to clear the video parallel-to-serial converter, IC3. IC3 then loads all zeros instead of the character.

Video blanking is initiated by the PRE BLANK, POST BLANK, or BLANK inputs to IC7, a four-input NAND gate. The fourth input, the video output of the cursor circuit, is blanked when any of the three blanking inputs is active.

The PRE BLANK input provides "window shade" blanking which is analogous to pulling a window shade down from the top of the display. PRE BLANK is generated in one half of IC13. IC13 is reset active during V SYNC and set inactive during START DISPLAY. The

PROCESSOR TECHNOLOGY CORPORATION

VDM-1 VIDEO DISPLAY MODULE

SECTION III

latter is generated by the scrolling circuitry and defines the character row for which the window shade ends. START DISPLAY may begin with any character row from zero through 14.

POST BLANK blanks all character rows following the row in which a VT control character appears if the CR/VT option is selected by SW5 or SW6 (see Paragraph 3.2). POST BLANK is generated in one flip-flop in IC16. This flip-flop is set inactive during V SYNC and reset active during OVERFLOW LINE if the VT flip-flop is set to indicate a VT control character.

The remaining video blanking function concerns the BLANK output from one section of IC17. This signal is a composite of HDISP, VDISP and the two control characters VT and CR. Since the blanking effects of these signals are character-position critical, timing is also critical. Thus, two D-type flip-flops in IC17 are used to insure synchronization.

The first flip-flop is active (low) only when HDISP and VDISP are high at IC15. Thus, the output of this flip-flop is active during the time a displayable character is latched into the data latch (IC5 and 6). The output of the first flip-flop is applied to one input of a three-input gate in IC9. IC9 is active (low) only when all of its inputs are high. A low input to IC9 will therefore override any other high inputs.

Outputs from the VT and CR flip-flops (IC10) are the other two inputs to IC9. VT and CR are active (low) from the first LOAD CLOCK during which either character is present in the data latch. This assumes the CR/VT option is enabled. Both the VT and CR flip-flops are set inactive during SCAN ENABLE. Thus, the blanking effect of VT and CR lasts from the character following VT or CR to the end of the character row.

The VT and CR blanking signals are generated by IC11, IC10, IC16 and their associated circuitry. In order to enable an output from IC11, the inputs to pins 6, 4 and 5 must be active. If pin 6 is grounded with SW5 and 6, the output of IC14 is disabled to de-select the VT/CR option. Otherwise pin 6 will be active (high) when IC14 decodes a control character in the output of the data latch (bits 5 and 6 are zero). Pin 4 is active (low) when IC9 decodes a control character (bit 3 zero and bit 4 high) when PRE BLANK is inactive (high). Pin 5 is active when DISPLAY is active (low). DISPLAY is low during all video display times. With IC11 enabled, it supplies outputs when the three low-order bits from the data latch reflect the VT or CR ASCII code, 0001011 and 0001101 respectively.

The CR output of IC11 (Pin 10) resets the CR flip-flop (IC10) active at the end of the CR control character. VT flip-flop (IC10) is likewise set active by the VT output of IC11 (pin 12). Both sections in IC10 are set inactive by LOAD CLOCK during SCAN ENABLE.

PROCESSOR TECHNOLOGY CORPORATION

VDM-1 VIDEO DISPLAY MODULE

SECTION III

CR and VT blanking are consequently effective from the start of the character position following the control character to the end of the character row. When the VT flip-flop is set inactive at the end of the last scan line in the row, the POST BLANK flip-flop (IC16) is also reset active since OVERFLOW LINE becomes active. Thus, VT initiated blanking continues to the end of the screen.

3.1.3 Screen Memory

Screen memory in the VDM-1 consists of eight 1 x 1024 bit RAM (random access memory) chips, IC41 through IC48. All chips are held enabled. Memory addressing is provided through a two-to-one multiplexer (IC23, 24 and 28) which selects one of two address sources: external address from the computer or internal character address from IC21, 22, 26 and 27. The last two ICs make up the scrolling counter. Normally the internal address is multiplexed to memory. When the computer requests access, the multiplexer switches to the external address lines, ADR \emptyset through 9. The write enable (WE) input to IC41 through 48 are active only during external addressing when WRITE at pin 8 of IC18 is low.

3.1.4 Character Generation

Two latches, IC5 and 6, latch data from the screen memory. The output from IC46 is inverted before being applied to pin 12 of IC5, and the complement (pin 11) of the Q_o output is used in addressing the character generator ROM, IC4. This enables the data latch to present a SPACE code to the ROM when it is cleared. Bit 8 from the latch is used for the cursor and does not enter the ROM.

IC4 has seven character address inputs, four row select inputs and seven data outputs. It is programmed to generate seven bits (dots) of character information for the selected scan line of the character row. The complete pattern of IC4 is shown in Figure 3-1A, B and C.

The ROM output is converted from parallel to serial form in IC3, a shift register, and applied to one gate in IC12. This gate is the first component in the video circuitry.

3.1.5 Cursor Circuit

A blink oscillator (two inverter sections in IC25), a latch (one section in IC17) and their associated components comprise the cursor circuit. The blink oscillator runs continuously at a rate set by R21 and C20. Its output has a nominal 0.5 sec period. If the blink option is selected with SW4 (see Paragraph 3.2), the blink signal is applied to one input of a gate in IC14. The other input to this gate is provided by the cursor latch, one section in IC17. If bit 7 out of the data latch is high, IC17 sets for the time the ROM is active on the character and remains set during the period when video data is shifted out of IC3. The output of IC17

PROCESSOR TECHNOLOGY CORPORATION

VDM-1 VIDEO DISPLAY MODULE

SECTION III

A3..A0		0000	0001	0010	0011	0100	0101	0110	0111	1000	1001	1010	1011	1100	1101	1110	1111
A6..A2		D6..D0	D6..D0	D6..D0	D6..D0	D6..D0	D6..D0	D6..D0	D6..D0	D6..D0	D6..D0	D6..D0	D6..D0	D6..D0	D6..D0	D6..D0	D6..D0
000	RD

	RB
001	RD

	RB
010	RD

	RB
011	RD

	RB
100	RD

	RB
101	RD

	RB
110	RD

	RB
111	RD

	RB

▀ = Shifted character. The character is shifted three rows to R3 at the top of the font and R11 at the bottom.

Figure 3-1A. MCM6574 pattern.

is gated high through IC14 when BLINK is low. (BLINK) is held low when the blink option is not selected.) The output of IC14 is in turn gated with the video output of IC3 in IC12, an exclusive OR gate. IC12 thus inverts the video if the output of IC14 is high, and no inversion takes place if the output of IC14 is low.

3.1.6 Video Circuit

The video signal, including the cursor, is gated to SW1 and 2 by IC7 in the absence of any blanking signals at the other three inputs to IC7. With SW2 closed, video and COMP SYNC are applied through two inverters in IC1 to a resistive mixer, R1 through R3. This mixer has a 75-ohm output impedance. The two signals are mixed to meet EIA composite video signal requirements and coupled to the output by C1. If only SW1 is closed, another inverter in IC1 inverts the video signal to produce a reverse (black on white) display.

PROCESSOR TECHNOLOGY CORPORATION

VDM-1 VIDEO DISPLAY MODULE

SECTION III

A3..A0		0000	0001	0010	0011	0100	0101	0110	0111	1000	1001	1010	1011	1100	1101	1110	1111
A6..A4		D6..D0	D6..D0	D6..D0	D6..D0	D6..D0	D6..D0	D6..D0	D6..D0	D6..D0	D6..D0	D6..D0	D6..D0	D6..D0	D6..D0	D6..D0	D6..D0
000	RO	000000	000000	000000	000000	000000	000000	000000	000000	000000	000000	000000	000000	000000	000000	000000	000000
	..	000000	000000	000000	000000	000000	000000	000000	000000	000000	000000	000000	000000	000000	000000	000000	000000
	RE	000000	000000	000000	000000	000000	000000	000000	000000	000000	000000	000000	000000	000000	000000	000000	000000
001	RO	000000	000000	000000	000000	000000	000000	000000	000000	000000	000000	000000	000000	000000	000000	000000	000000
	..	000000	000000	000000	000000	000000	000000	000000	000000	000000	000000	000000	000000	000000	000000	000000	000000
	RE	000000	000000	000000	000000	000000	000000	000000	000000	000000	000000	000000	000000	000000	000000	000000	000000
010	RO	000000	000000	000000	000000	000000	000000	000000	000000	000000	000000	000000	000000	000000	000000	000000	000000
	..	000000	000000	000000	000000	000000	000000	000000	000000	000000	000000	000000	000000	000000	000000	000000	000000
	RE	000000	000000	000000	000000	000000	000000	000000	000000	000000	000000	000000	000000	000000	000000	000000	000000
011	RO	000000	000000	000000	000000	000000	000000	000000	000000	000000	000000	000000	000000	000000	000000	000000	000000
	..	000000	000000	000000	000000	000000	000000	000000	000000	000000	000000	000000	000000	000000	000000	000000	000000
	RE	000000	000000	000000	000000	000000	000000	000000	000000	000000	000000	000000	000000	000000	000000	000000	000000
100	RO	000000	000000	000000	000000	000000	000000	000000	000000	000000	000000	000000	000000	000000	000000	000000	000000
	..	000000	000000	000000	000000	000000	000000	000000	000000	000000	000000	000000	000000	000000	000000	000000	000000
	RE	000000	000000	000000	000000	000000	000000	000000	000000	000000	000000	000000	000000	000000	000000	000000	000000
101	RO	000000	000000	000000	000000	000000	000000	000000	000000	000000	000000	000000	000000	000000	000000	000000	000000
	..	000000	000000	000000	000000	000000	000000	000000	000000	000000	000000	000000	000000	000000	000000	000000	000000
	RE	000000	000000	000000	000000	000000	000000	000000	000000	000000	000000	000000	000000	000000	000000	000000	000000
110	RO	000000	000000	000000	000000	000000	000000	000000	000000	000000	000000	000000	000000	000000	000000	000000	000000
	..	000000	000000	000000	000000	000000	000000	000000	000000	000000	000000	000000	000000	000000	000000	000000	000000
	RE	000000	000000	000000	000000	000000	000000	000000	000000	000000	000000	000000	000000	000000	000000	000000	000000
111	RO	000000	000000	000000	000000	000000	000000	000000	000000	000000	000000	000000	000000	000000	000000	000000	000000
	..	000000	000000	000000	000000	000000	000000	000000	000000	000000	000000	000000	000000	000000	000000	000000	000000
	RE	000000	000000	000000	000000	000000	000000	000000	000000	000000	000000	000000	000000	000000	000000	000000	000000

▲ = Shifted character. The character is shifted three rows to R3 at the top of the font and R11 at the bottom.

Figure 3-1B. MCM6575 pattern.

3.1.7 Scroll Circuit

The scroll circuit is made up of IC26, 27, 31 and 32 and their associated circuitry. IC26 and 27 are up/down counters that are preset by the outputs of latches IC31 and 32. IC31 and 32 latch the character row information specified on DI0 through 7. IC26 is preset during VDISP, the time from the bottom of the displayed text to the top of the next vertical display period. IC26 is held at the preset number during this period, and counting is disabled by OVERFLOW LINE. When the character row divider (IC8) advances at the end of the first character row in the display, IC26 is enabled to count down. IC26 provides a low on its TC output whenever the counter is at count zero. This TC active output is inverted in IC19 to supply the START DISPLAY signal (active high). PRE BLANK blanks the display until START DISPLAY goes active. START DISPLAY goes inactive when IC26 counts below zero during OVERFLOW LINE at the end of the character row.

During the active time of START DISPLAY, IC27 is loaded with the contents of IC32. IC27 is enabled, when OVERFLOW LINE is low, to count up from the start of the end of the first displayed character row. IC27 continues to count with the end of each following character row.

PROCESSOR TECHNOLOGY CORPORATION

VDM-1 VIDEO DISPLAY MODULE

SECTION III

A3..A0		0000	0001	0010	0011	0100	0101	0110	0111	1000	1001	1010	1011	1100	1101	1110	1111
A6..A4		D6..D0	D6..D0	D6..D0	D6..D0	D6..D0	D6..D0	D6..D0	D6..D0	D6..D0	D6..D0	D6..D0	D6..D0	D6..D0	D6..D0	D6..D0	D6..D0
000	RO	000000	000000	000000	000000	000000	000000	000000	000000	000000	000000	000000	000000	000000	000000	000000	000000
	RB	000000	000000	000000	000000	000000	000000	000000	000000	000000	000000	000000	000000	000000	000000	000000	000000
001	RO	000000	000000	000000	000000	000000	000000	000000	000000	000000	000000	000000	000000	000000	000000	000000	000000
	RB	000000	000000	000000	000000	000000	000000	000000	000000	000000	000000	000000	000000	000000	000000	000000	000000
010	RO	000000	000000	000000	000000	000000	000000	000000	000000	000000	000000	000000	000000	000000	000000	000000	000000
	RB	000000	000000	000000	000000	000000	000000	000000	000000	000000	000000	000000	000000	000000	000000	000000	000000
011	RO	000000	000000	000000	000000	000000	000000	000000	000000	000000	000000	000000	000000	000000	000000	000000	000000
	RB	000000	000000	000000	000000	000000	000000	000000	000000	000000	000000	000000	000000	000000	000000	000000	000000
100	RO	000000	000000	000000	000000	000000	000000	000000	000000	000000	000000	000000	000000	000000	000000	000000	000000
	RB	000000	000000	000000	000000	000000	000000	000000	000000	000000	000000	000000	000000	000000	000000	000000	000000
101	RO	000000	000000	000000	000000	000000	000000	000000	000000	000000	000000	000000	000000	000000	000000	000000	000000
	RB	000000	000000	000000	000000	000000	000000	000000	000000	000000	000000	000000	000000	000000	000000	000000	000000
110	RO	000000	000000	000000	000000	000000	000000	000000	000000	000000	000000	000000	000000	000000	000000	000000	000000
	RB	000000	000000	000000	000000	000000	000000	000000	000000	000000	000000	000000	000000	000000	000000	000000	000000
111	RO	000000	000000	000000	000000	000000	000000	000000	000000	000000	000000	000000	000000	000000	000000	000000	000000
	RB	000000	000000	000000	000000	000000	000000	000000	000000	000000	000000	000000	000000	000000	000000	000000	000000

▼ = Shifted character. The character is shifted three rows to R3 at the top of the font and R11 at the bottom.

Figure 3-1C. MCM6576 pattern.

Since IC27 reloads to its preset value at the line for which the window shade ends, the display may be scrolled up or down by incrementing or decrementing the row number. Incrementing or decrementing the number in IC32 varies the window shade duration. Doing the same thing to the number in IC31, in the absence of window shade blanking, causes the display to scroll.

3.1.8 Computer Interface

IC29 compares the address bits, AD10 through AD15 with two possible binary comparison numbers. These numbers are set with the X, Y and GND (ground) jumper arrangement (ADDRESS SELECT). One comparison number, which relates to the page number to which the screen memory responds, is generated when there is no input on SINP or SOUT. The other is generated when either of these inputs is present and represents the six high-order bits of the I/O port address to which the status port responds. Note that the circuit requires that the two low-order bits of the I/O port address always be zero.

During PSYNC, when $\phi 2$ is low, IC29 compares its inputs and the two comparison numbers. An internal latch in IC29 retains the

PROCESSOR TECHNOLOGY CORPORATION

VDM-1 VIDEO DISPLAY MODULE

SECTION III

state of the comparison when its enable input goes high. The output from IC29 drives several circuits.

1. It enables the XRDY driver, IC38.
2. It enables a section in IC37 (low) and IC40 (high).

If SINP and SOUT are low, the other input to IC37 satisfies the gate to generate MEM SELECT (memory select). Should either be high and the two low-order I/O address bits (ADR8 and 9) are low, IC40 generates I/O SELECT.

An active I/O SELECT enables another gate in IC37 and a gate in IC35 to respond to PWR and PDBIN respectively. PWR supplies LOAD STATUS to IC31 and 32. These two latches will thus retain the state of the DO bus as the scrolling parameters. PDBIN generates STATUS OUT to enable IC39 (pin 15) to place the status bit on DIØ.

MEM SELECT performs three functions: 1) it immediately switches the address multiplexer (IC23, 24 and 28) to supply external addressing to the screen memory, 2) it enables one section of IC13, and 3) it enables one section in IC17.

The input to, and Q output of, IC13 are gated during the time preceding the next Ø2 high-to-low transition to IC38, the XRDY driver. Transmission through IC38 causes a wait state in the computer. This wait period allows the screen memory addresses to settle and allows adequate time for the memory to come ready for data input or output.

A MEM GO (memory go) signal from IC13, which occurs with the second Ø2 in the instruction cycle, indicates enough time has elapsed since addressing for the screen memory to transfer data. During the wait period, PDBIN or MWRITE hold in their active state (high). Hence, Either WRITE is given to the screen memory or DATA OUT enables the DI bus drivers as appropriate.

The output of IC17 prevents any possible interference with the display when the screen memory address is changed. When the address is changed, the display is overridden, and spurious data at the memory outputs can interfere with the display. When IC17 is set, it causes the data latch to reset to a SPACE code. The SPACE code remains until the next character clock following removal of MEM SELECT. As a result, a short (but not critical) line segment in the display is lost.

LOAD STATUS from IC37 also triggers a one-shot timer consisting of one section in IC30, one in IC25, and Q1. The buffered output of this one-shot is STATUS. STATUS goes high when the one-shot is triggered and remains high for 0.25 to 0.5 second. The computer, when performing an output instruction from the VDM-1 port,

PROCESSOR TECHNOLOGY CORPORATION

VDM-1 VIDEO DISPLAY MODULE

SECTION III

can thus test the timer status by looking for a high on DIØ. This allows a slow scroll rate without requiring complex timing routines in the CPU.

STATUS is also connected to an unused 7406 inverter section in IC1. The output of this inverter can be jumpered to any of the vector interrupt (VI) pins. In future systems with vectored interrupt, this output will eliminate the need to continuously test the timer status.

3.2 SWITCH SELECTABLE OPTIONS

The VDM-1 has several switch-selectable operating features. These are: normal and reverse video display, blinking and non-blinking cursor, text blanking, and control character blanking. These options are selected by SW1 through SW6 in the DIP Switch located in Area B-1,2 on the circuit board.

SW1 and 2 control the video display, SW3 and 4 control cursor, and SW5 and 6 control the text and control character blanking features. The role that each switch serves in configuring the VDM-1 circuitry for the various options can be readily determined by reviewing the schematic diagram in Section IV of this manual. Table 3-1 defines the options that are available with SW1 through 6. (Table 3-1 will be found on Page III-10.)

PROCESSOR TECHNOLOGY CORPORATION

VDM-1 VIDEO DISPLAY MODULE

SECTION III

Table 3-1. DIP Switch States vs Options.

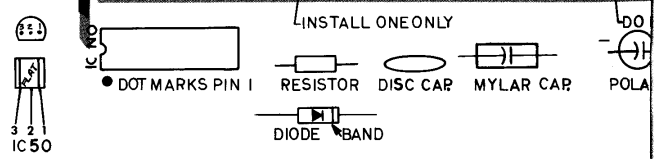
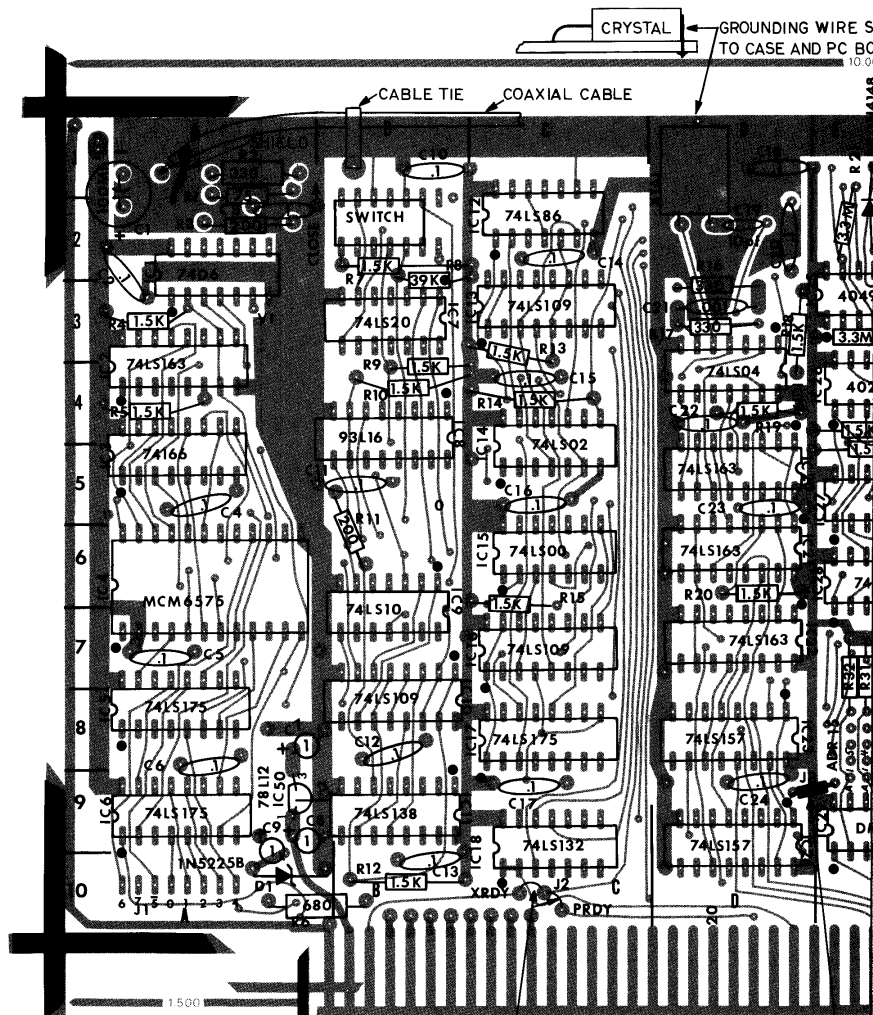
SWITCHES				OPTION
No.	State	No.	State	
1	OFF	2	OFF	No display.
1	OFF	2	ON	Normal video (white on black background).
1	ON	2	OFF	Reverse video (black on white background).
1	ON	2	ON	N O T A L L O W E D.
3	OFF	4	OFF	All cursors suppressed.
3	OFF	4	ON	Blinking cursor.
3	ON	4	OFF	Non-blinking cursor.
3	ON	4	ON	N O T A L L O W E D.
5	OFF	6	OFF	All characters suppressed. Only cursor blocks are displayed. Text blanking from CR to end of line and VT to end of screen enabled.
5	OFF	6	ON	Control characters blanked. Text blanking from CR to end of line and VT to end of screen enabled.
5	ON	6	OFF	Control characters are displayable. Text blanking from CR to end of line and VT to end of screen enabled.
5	ON	6	ON	Control characters are displayable. Text blanking from CR to end of line and VT to end of screen disabled.

SECTION IV

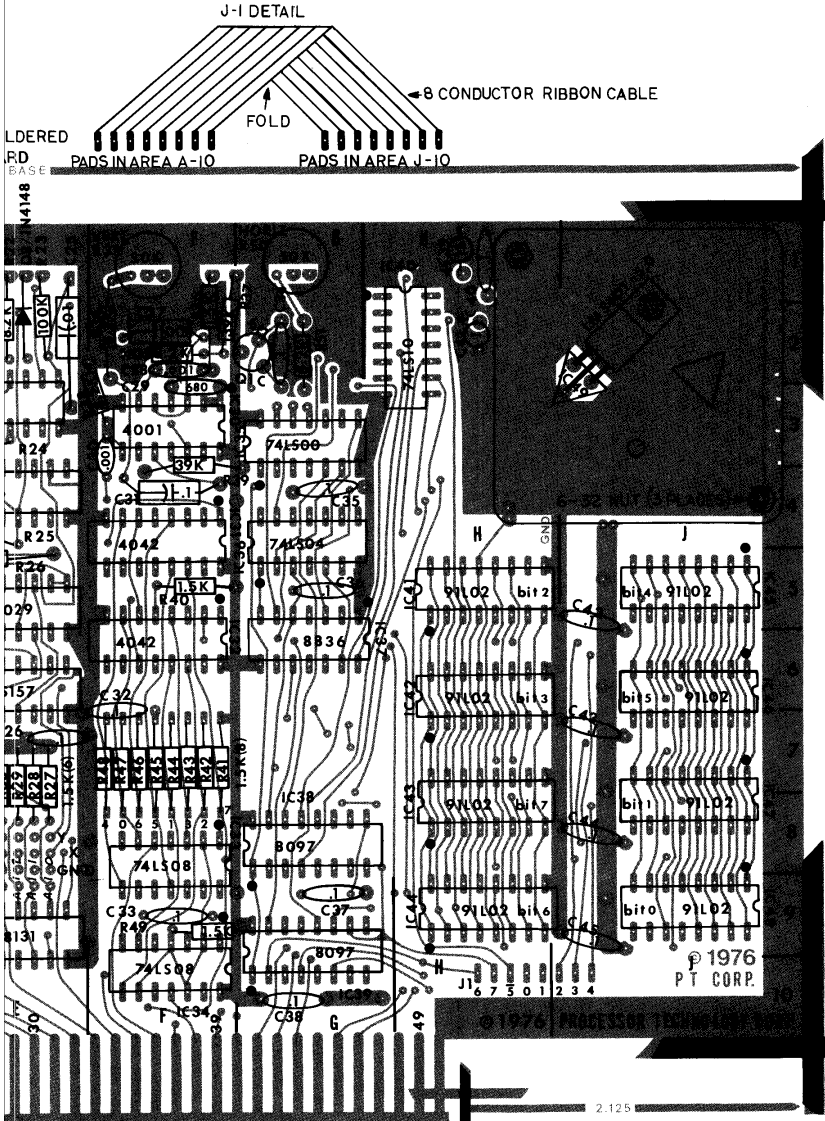
DRAWINGS

VDM-1 VIDEO DISPLAY MODULE





1A1A8



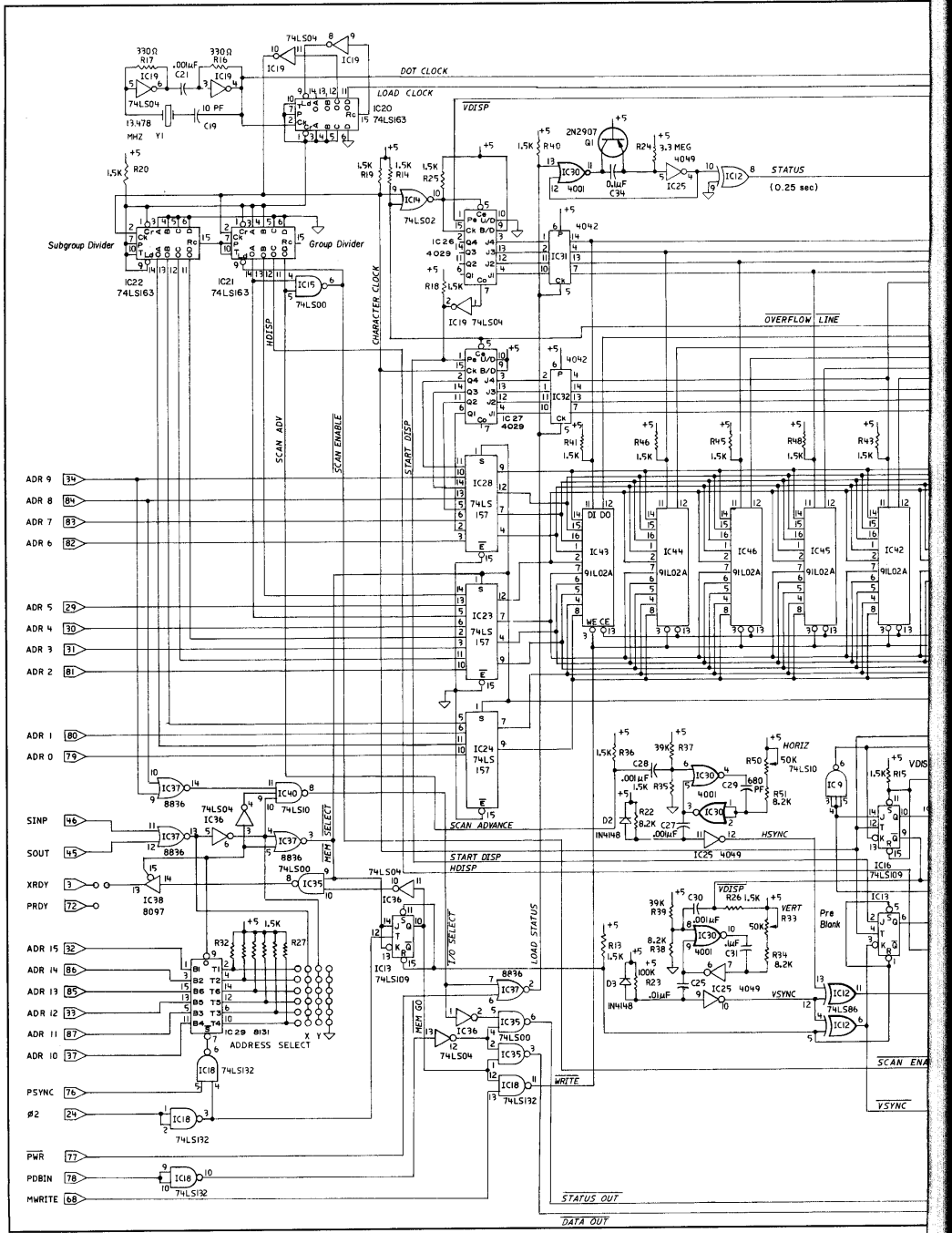
DO NOT OMIT THIS JUMPER
 +
 ORDERED BOARD BASE
 PADS IN AREA A-10
 PADS IN AREA J-10

VOM 1
 assembly

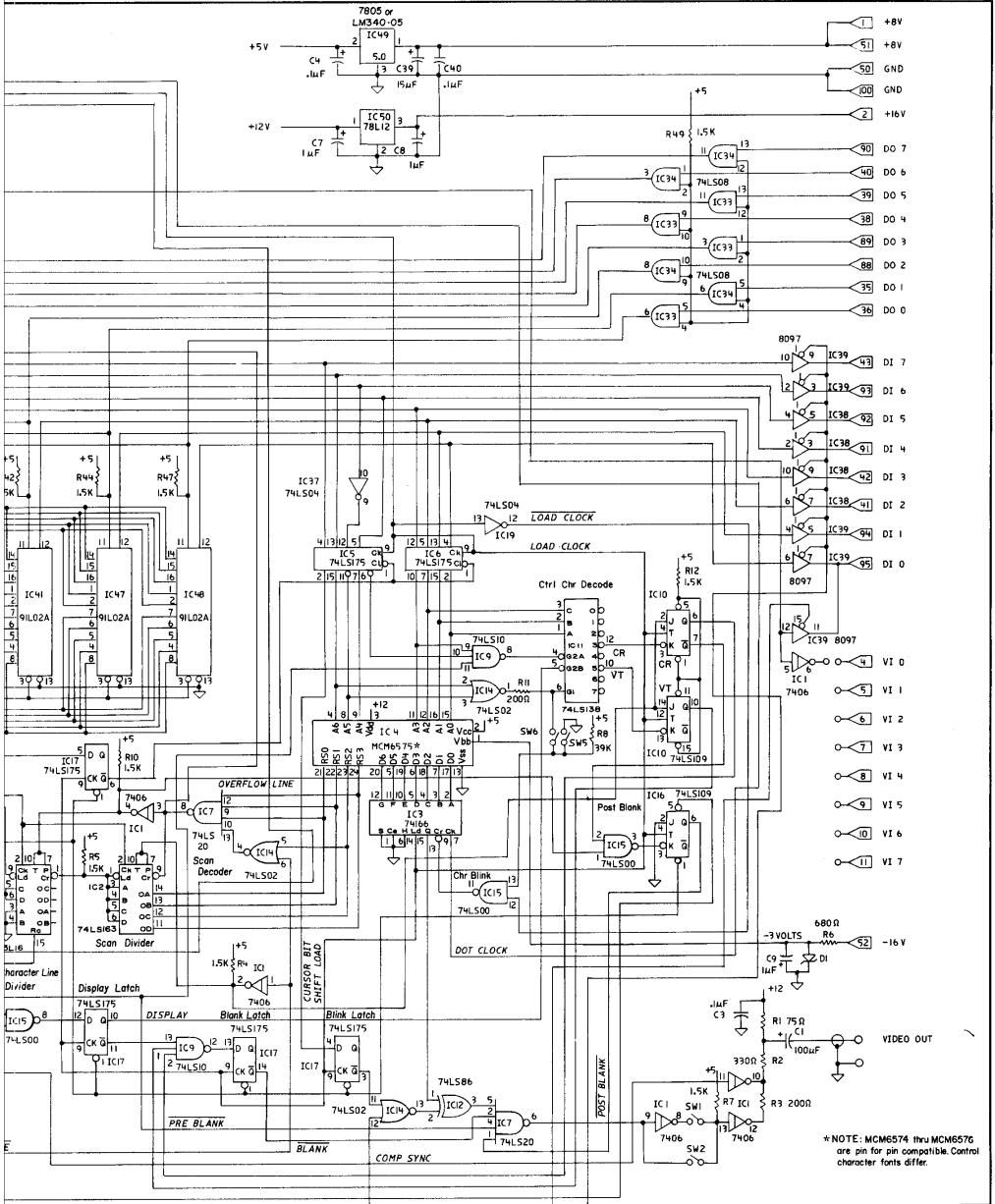
T.H. SCHMIDT

© 1976
 P T CORP.

2.125

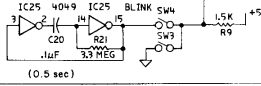


NOTE: PRINTED BY THE AUTHOR.



*NOTE: MCM6574 thru MCM657G are pin for pin compatible. Control character fonts differ.

VDM-I Schematic		
SCALE: 806-C	Designed by:	DRAWN BY: Roeder
DATE: 1/76	Lee Felsenstein	REVISED: 2/18/76
Processor Technology Corp.		Copyright 1976
Video Display Module for 8080 processors		BOARD REV [C] DWG REV [C]



APPENDICES

VDM-1 VIDEO DISPLAY MODULE



APPENDIX I

STATEMENT OF WARRANTY



PROCESSOR TECHNOLOGY CORPORATION

VDM-1 VIDEO DISPLAY MODULE

APPENDIX I

STATEMENT of WARRANTY

PROCESSOR TECHNOLOGY CORPORATION, in recognition of its responsibility to provide quality components and adequate instruction for their proper assembly, warrants its products as follows:

All components sold by Processor Technology Corporation are purchased through normal factory distribution and any part which fails because of defects in workmanship or material will be replaced at no charge for a period of 6 months following the date of purchase. The defective part must be returned postpaid to Processor Technology Corporation within the warranty period.

Any malfunctioning module, purchased as a kit and returned to Processor Technology within the warranty period, which in the judgement of P.T. Corp. has been assembled with care and not subjected to electrical or mechanical abuse, will be restored to proper operating condition and returned, regardless of cause of malfunction, with a minimal charge to cover postage and handling.

Any modules purchased as a kit and returned to P.T. Corp. which in the judgement of P.T. Corp. are not covered by the above conditions will be repaired and returned at a cost commensurate with the work required. In no case will this charge exceed \$20.00 without prior notification and approval of the owner.

Any modules, purchased as assembled units are guaranteed to meet specifications in effect at the time of manufacture for a period of at least 6 months following purchase. These modules are additionally guaranteed against defects in materials or workmanship for the same 6 month period. All warranted factory assembled units returned to P.T. Corp. postpaid will be repaired and returned without charge.

This warranty is made in lieu of all other warranties expressed or implied and is limited in any case to the repair or replacement of the module involved.

APPENDIX II

8080 OPERATING CODE



JUMP	CALL	RETURN	RESTART	ROTATE†	MOVE (cont)	ACCUMULATOR*	CONSTANT DEFINITION
C3 JMP	CD CALL	C9 RET	C7 RST 0	07 RLC	58 MOV E,B	80 ADD B	0BDH } Hex
C2 JNZ	C4 CNZ	C0 RNZ	CF RST 1	0F RRC	59 MOV E,C	81 ADD C	1AH } Hex
C1 JZ	C8 RZ	C8 RNZ	D7 RST 2	17 RAL	5A MOV E,D	AA XRA D	105D } Decimal
D2 JNC	D4 CNC	D0 RNC	DF RST 3	1F RAR	5B MOV E,E	AB XRA E	720 } Octal
DA JC	D8 CC	D8 RC	E7 RST 4		5C MOV E,H	AC XRA H	11011B } Binary
E2 JPO	E4 CPO	E0 RPO	EF RST 5		5D MOV E,L	AD XRA L	00110B } Binary
EA JPE	EC CPE	E8 RPE	F7 RST 6		5E MOV E,M	AE XRA M	'TEST' } ASCII
F2 JP	F4 CP	F0 RP	FF RST 7		5F MOV E,A	AF XRA A	'A' 'B' } ASCII
FA JM	FC CM	F8 RM		CONTROL	60 MOV H,B	80 ORA B	
E9 PCHL				00 NOP	61 MOV H,C	B0 ORA B	
				76 HLT	62 MOV H,D	B1 ORA C	
				F3 DI	63 MOV H,E	B2 ORA D	
				FB EI	64 MOV H,H	B3 ORA E	
					65 MOV H,L	B4 ORA H	
					66 MOV H,M	B5 ORA L	
					67 MOV H,A	B6 ORA M	
				MOVE	68 MOV L,B	B7 ORA A	
				40 MOV B,B	69 MOV L,C	B8 CMP B	
				41 MOV B,C	89 MOV L,C	B9 CMP C	
				42 MOV B,D	6A MOV L,D	BA CMP D	
				43 MOV B,E	6B MOV L,E	BB CMP E	
				44 MOV B,H	6C MOV L,H	BC CMP H	
				45 MOV B,L	6D MOV L,L	BD CMP L	
				46 MOV B,M	6E MOV L,M	BE CMP M	
				47 MOV B,A	6F MOV L,A	BF CMP A	
				E3 XTHL	70 MOV M,B		
				F9 SPHL	71 MOV M,C		
					72 MOV M,D		
					73 MOV M,E		
					74 MOV M,H		
					75 MOV M,L		
					76 MOV M,A		
					77 MOV M,A		
					78 MOV A,B		
					79 MOV A,C		
					80 MOV A,D		
					81 MOV A,E		
					82 MOV A,H		
					83 MOV A,L		
					84 MOV A,M		
					85 MOV A,A		
					86 MOV A,M		
					87 MOV A,A		
					88 MOV A,A		
					89 MOV A,C		
					90 MOV A,D		
					91 MOV A,E		
					92 MOV A,H		
					93 MOV A,L		
					94 MOV A,M		
					95 MOV A,A		
					96 MOV A,M		
					97 MOV A,A		
					98 MOV A,B		
					99 MOV A,C		
					9A MOV A,D		
					9B MOV A,E		
					9C MOV A,H		
					9D MOV A,L		
					9E MOV A,M		
					9F MOV A,A		
					A0 ANA B		
					A1 ANA C		
					A2 ANA D		
					A3 ANA E		
					A4 ANA H		
					A5 ANA L		
					A6 ANA M		
					A7 ANA A		
					A8 ANA B		
					A9 ANA C		
					AA ANA D		
					AB ANA E		
					AC ANA H		
					AD ANA L		
					AE ANA M		
					AF ANA A		
					B0 ANA B		
					B1 ANA C		
					B2 ANA D		
					B3 ANA E		
					B4 ANA H		
					B5 ANA L		
					B6 ANA M		
					B7 ANA A		
					B8 ANA B		
					B9 ANA C		
					BA ANA D		
					BB ANA E		
					BC ANA H		
					BD ANA L		
					BE ANA M		
					BF ANA A		
					C0 ANA B		
					C1 ANA C		
					C2 ANA D		
					C3 ANA E		
					C4 ANA H		
					C5 ANA L		
					C6 ANA M		
					C7 ANA A		
					C8 ANA B		
					C9 ANA C		
					CA ANA D		
					CB ANA E		
					CC ANA H		
					CD ANA L		
					CE ANA M		
					CF ANA A		
					D0 ANA B		
					D1 ANA C		
					D2 ANA D		
					D3 ANA E		
					D4 ANA H		
					D5 ANA L		
					D6 ANA M		
					D7 ANA A		
					D8 ANA B		
					D9 ANA C		
					DA ANA D		
					DB ANA E		
					DC ANA H		
					DD ANA L		
					DE ANA M		
					DF ANA A		
					E0 ANA B		
					E1 ANA C		
					E2 ANA D		
					E3 ANA E		
					E4 ANA H		
					E5 ANA L		
					E6 ANA M		
					E7 ANA A		
					E8 ANA B		
					E9 ANA C		
					EA ANA D		
					EB ANA E		
					EC ANA H		
					ED ANA L		
					EE ANA M		
					EF ANA A		
					F0 ANA B		
					F1 ANA C		
					F2 ANA D		
					F3 ANA E		
					F4 ANA H		
					F5 ANA L		
					F6 ANA M		
					F7 ANA A		
					F8 ANA B		
					F9 ANA C		
					FA ANA D		
					FB ANA E		
					FC ANA H		
					FD ANA L		
					FE ANA M		
					FF ANA A		

Addr = 16 bit address
 ** = all Flags except CARRY affected;
 (exception: INX & DCX affect no Flags)

D16 = constant, or logical/arithmetic expression that evaluates to a 16 bit data quantity.
 † = only CARRY affected

D8 = constant, or logical/arithmetic expression that evaluates to an 8 bit data quantity.
 * = all Flags (C,Z,S,P) affected

Hex	Instruction	Hex	Instruction	Hex	Instruction	Hex	Instruction	Hex	Instruction	Hex	Instruction	Hex	Instruction	Hex	Instruction	Hex	Instruction	Hex	Instruction	Hex	Instruction	
00	NOP	28	...	50	MOV DB	78	MOV AB	A0	ANA B	C8	RZ	F0	RP	41	A	28	+	42	C	43	B	
01	LXI B,D16	29	LAD H,Adr	51	MOV DC	79	MOV AC	A1	ANA C	C9	RET	F1	POP PSW	44	D	29	-	44	D	45	E	
02	STAX B	2A	DAD Adr	52	MOV DD	7A	MOV AD	A2	ANA D	CA	JZ	F2	JP Adr	45	E	30	0	45	F	46	G	
03	INX B	2B	DCX H	53	MOV DE	7B	MOV AE	A3	ANA E	CB	...	F3	DI	46	F	31	1	46	G	47	H	
04	INR B	2C	INR L	54	MOV DH	7C	MOV AH	A4	ANA H	CC	CZ	F4	CP Adr	47	G	32	2	47	H	48	I	
05	DCR B	2D	DCR L	55	MOV DL	7D	MOV AL	A5	ANA L	CD	CALL Adr	F5	PUSH PSW	48	I	33	3	48	I	49	J	
06	MVI B,D8	2E	MVI L,D8	56	MOV DM	7E	MOV AM	A6	ANA M	CE	ACI Adr	F6	ORI Adr	49	J	34	4	49	J	50	K	
07	RLC	2F	CMA	57	MOV DM	7F	MOV AA	A7	ANA A	CF	RST 1	F7	RST 6	50	K	35	5	50	L	51	M	
08	...	30	...	58	MOV DA	7F	MOV AA	A7	ANA A	DF	RST 2	F8	RM	51	M	36	6	51	N	52	O	
09	DAD B	31	LXI SP,D16	59	MOV EB	80	ADD B	A8	XRA B	D0	RNC	F9	SPHL	52	O	37	7	52	P	53	R	
0A	LDAX B	32	STA Adr	5A	MOV EC	81	ADD C	A9	XRA C	D1	POP D	FA	JM Adr	53	R	38	8	53	S	54	T	
0B	DCX B	33	INX SP	5B	MOV ED	82	ADD D	AA	XRA D	D2	JNC D8	FB	EI	54	T	39	9	54	U	55	V	
0C	INR C	34	INR M	5C	MOV EE	83	ADD E	AB	XRA E	D3	OUT D8	FC	CM	55	V	40	0	55	W	56	X	
0D	DCR C	35	DCR M	5D	MOV EH	84	ADD H	AC	XRA H	D4	CNC Adr	FD	...	56	X	41	1	56	X	57	Y	
0E	MVI C,D8	36	MVI M,D8	5E	MOV EL	85	ADD L	AD	XRA L	D5	PUSH D	FE	CPI Adr	57	Y	42	2	57	Y	58	Z	
0F	RLC	37	STC	5F	MOV EA	86	ADD M	AE	XRA M	D6	SUI D8	FF	RST 7	58	Z	43	3	58	Z			
10	...	38	...	60	MOV HA	87	ADD A	AF	XRA A	D7	RST 2					44	4					
11	LXI D,D16	39	DAD SP	61	MOV HB	88	ADD S	B0	ORA A	D8	HC					45	5					
12	STAX D	3A	LDA Adr	62	MOV HC	89	ADD C	B1	ORA C	D9	...					46	6					
13	INX D	3B	DCX SP	63	MOV HD	8A	ADD D	B2	ORA D	DA	JC Adr					47	7					
14	INR D	3C	INR A	64	MOV HE	8B	ADD E	B3	ORA E	DB	IN D8					48	8					
15	DCR D	3D	DCR A	65	MOV HL	8C	ADD H	B4	ORA H	DC	CC Adr					49	9					
16	MVI D,D8	3E	MVI A,D8	66	MOV HM	8D	ADD L	B5	ORA L	DD	...					50	0					
17	RAL	3F	CMC	67	MOV HA	8E	ADD M	B6	ORA M	DE	SBI D8					51	1					
18	...	40	MOV B,B	68	MOV LB	8F	ADD A	B7	ORA A	DF	RST 3					52	2					
19	DAD D	41	MOV B,D	69	MOV LC	90	SUB B	B8	CMP B	E0	RPO					53	3					
1A	LDAX D	42	MOV B,E	6A	MOV LD	91	SUB D	B9	CMP C	E1	POP H					54	4					
1B	DCX D	43	MOV B,E	6B	MOV LE	92	SUB E	BA	CMP D	E2	JPO Adr					55	5					
1C	INR E	44	MOV B,H	6C	MOV LH	93	SUB H	BB	CMP E	E3	JPH Adr					56	6					
1D	DCR E	45	MOV B,L	6D	MOV LL	94	SUB L	BC	CMP H	E4	CPH Adr					57	7					
1E	MVI E,D8	46	MOV B,M	6E	MOV LM	95	SUB M	BD	CMP L	E5	CPH Adr					58	8					
1F	RAR	47	MOV B,M	6F	MOV LM	96	SUB M	BE	CMP M	E6	ANI D8					59	9					
20	...	48	MOV C,B	70	MOV MB	97	SUB A	BF	CMP A	E7	RST 4											
21	LXI H,D16	49	MOV C,C	71	MOV MC	98	SBB B	C0	RNZ	E8	RPE											
22	SHLD Adr	4A	MOV C,D	72	MOV MD	99	SBB C	C1	POP B	E9	PCHL											
23	INX H	4B	MOV C,E	73	MOV ME	9A	SBB D	C2	JNZ Adr	EA	JPE Adr											
24	INR H	4C	MOV C,H	74	MOV MH	9B	SBB E	C3	JMP Adr	EB	XCHG											
25	DCR H	4D	MOV C,L	75	MOV ML	9C	SBB H	C4	CNZ Adr	EC	CPE Adr											
26	MVI H,D8	4E	MOV C,M	76	HLT	9D	SBB L	C5	PUSH B	ED	...											
27	DAA	4F	MOV C,A	77	MOV M,A	9E	SBB M	C6	ADI D8	EE	XRI D8											
						9F	SBB A	C7	RST 0	EF	RST 5											

D8 = constant, or logical/arithmetic expression that evaluates to an 8 bit data quantity.

D16 = constant, or logical/arithmetic expression that evaluates to a 16 bit data quantity.

Adr = 16 bit address

Hex	Instruction	Hex	Instruction	Hex	Instruction	Hex	Instruction
40	@	41	A	42	C	43	B
44	D	45	E	46	F	47	G
48	H	49	I	4A	J	4B	K
4C	L	4D	M	4E	N	4F	O
50	P	51	Q	52	R	53	S
54	T	55	U	56	V	57	W
58	X	59	Y	5A	Z		
20	space	21	!	22	."	23	#
24	\$	25	%	26	&	27	'
28	(29)	2A	*	2B	+
2C	,	2D	-	2E	.	2F	/
30	0	31	1	32	2	33	3
34	4	35	5	36	6	37	7
38	8	39	9	3A	:	3B	<
3C	=	3D	>	3E	?	3F	?
40	@	41	A	42	C	43	B
44	D	45	E	46	F	47	G
48	H	49	I	4A	J	4B	K
4C	L	4D	M	4E	N	4F	O
50	P	51	Q	52	R	53	S
54	T	55	U	56	V	57	W
58	X	59	Y	5A	Z		

APPENDIX III

LOADING DIP DEVICES

and

SOLDERING TIPS



LOADING DIP (DUAL IN-LINE PACKAGE) DEVICES

Most DIP devices have their leads spread so that they can not be dropped straight into the board. They must be "walked in" using the following procedure:

- (1) Orient the device properly. Pin 1 is indicated by a small embossed dot on the top surface of the device at one corner. Pins are numbered counterclockwise from pin 1.
- (2) Insert the pins on one side of the device into their holes on the printed circuit card. Do not press the pins all the way in, but stop when they are just starting to emerge from the opposite side of the card.
- (3) Exert a sideways pressure on the pins at the other side of the device by pressing against them where they are still wide below the bend. Bring this row of pins into alignment with its holes in the printed circuit card and insert them an equal distance, until they begin to emerge.
- (4) Press the device straight down until it seats on the points where the pins widen.
- (5) Turn the card over and select two pins at opposite corners of the device. Using a fingernail or a pair of long-nose pliers, push these pins outwards until they are bent at a 45 degree angle to the surface of the card. This will secure the device until it is soldered.

SOLDERING TIPS

- (1) Use a low-wattage iron — 25 watts is good. Larger irons run the risk of burning the printed-circuit board. Don't try to use a soldering gun, they are too hot.
- (2) Use a small pointed tip and keep it clean. Keep a damp piece of sponge by the iron and wipe the tip on it after each use.
- (3) Use 60-40 rosin-core solder ONLY. DO NOT use acid-core solder or externally applied fluxes. Use the smallest diameter solder you can get.

NOTE: DO NOT press the top of the iron on the pad or trace. This will cause the trace to "lift" off of the board which will result in permanent damage.

- (4) In soldering, wipe the tip, apply a light coating of new solder to it, and apply the tip to both parts of the joint, that is, both the component lead and the printed-circuit pad. Apply the solder against the lead and pad being heated, but not directly to the tip of the iron. Thus, when the solder melts the rest of the joint will be hot enough for the solder to "take," (i.e., form a capillary film).
- (5) Apply solder for a second or two, then remove the solder and keep the iron tip on the joint. The rosin will bubble out. Allow about three or four bubbles, but don't keep the tip applied for more than ten seconds.
- (6) Solder should follow the contours of the original joint. A blob or lump may well be a solder bridge, where enough solder has been built upon one conductor to overflow and "take" on the adjacent conductor. Due to capillary action, these solder bridges look very neat, but they are a constant source of trouble when boards of a high trace density are being soldered. Inspect each integrated circuit and component after soldering for bridges.
- (7) To remove solder bridges, it is best to use a vacuum "solder puller" if one is available. If not, the bridge can be reheated with the iron and the excess solder "pulled" with the tip along the printed circuit traces until the lump of solder becomes thin enough to break the bridge. Braid-type solder remover, which causes the solder to "wick up" away from the joint when applied to melted solder, may also be used.

APPENDIX IV

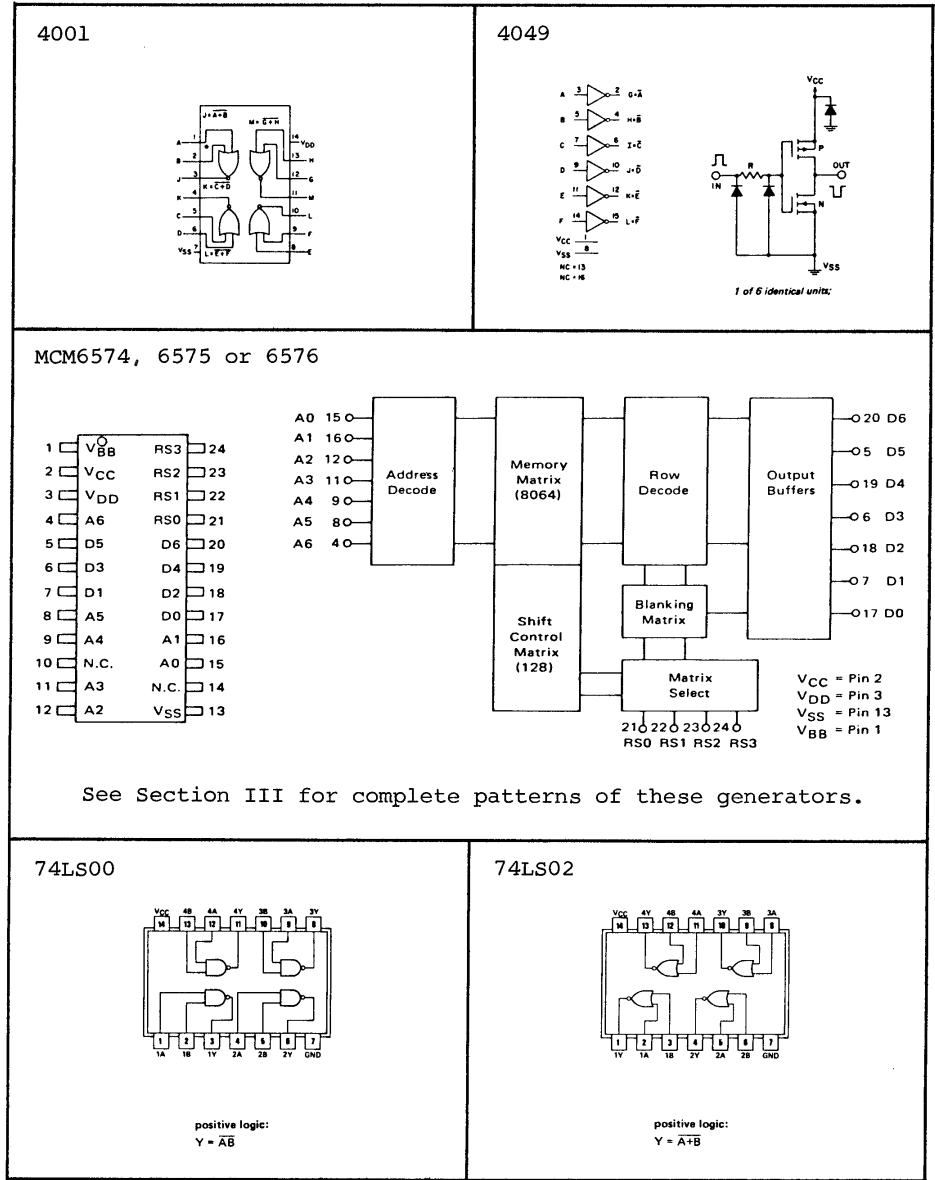
INTEGRATED CIRCUIT PIN CONFIGURATIONS



PROCESSOR TECHNOLOGY CORPORATION

VDM-1 VIDEO DISPLAY MODULE

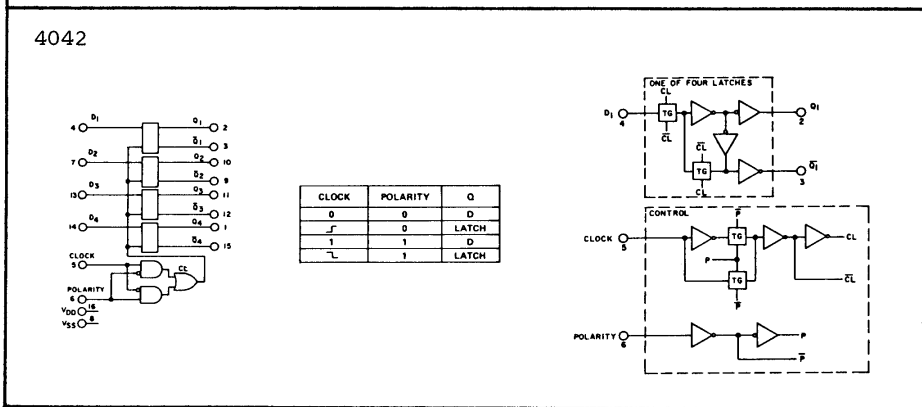
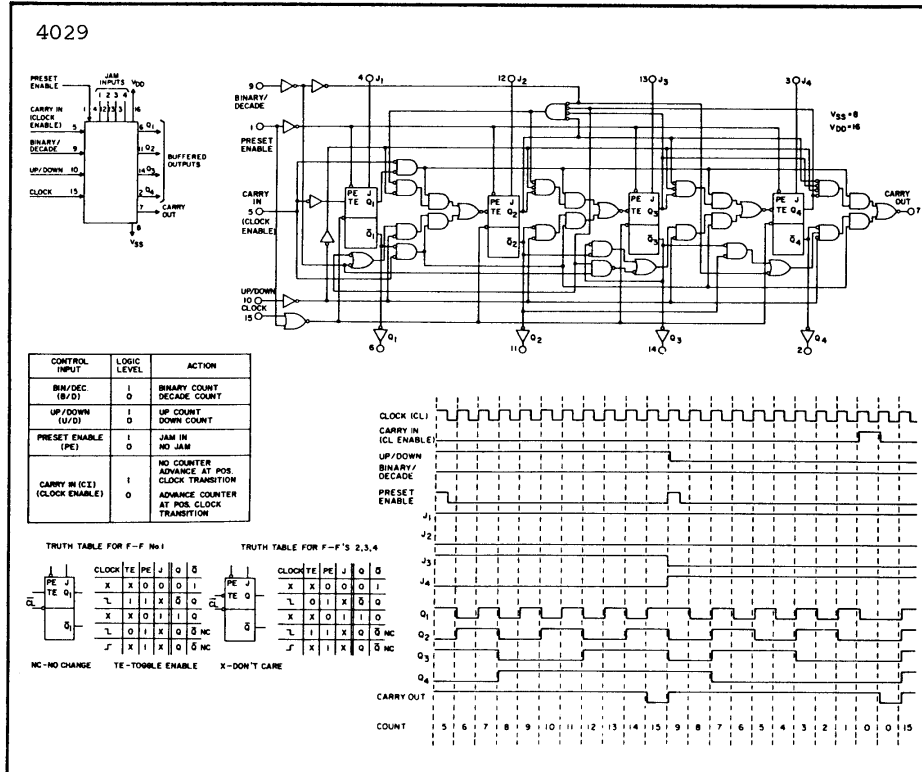
APPENDIX IV



PROCESSOR TECHNOLOGY CORPORATION

VDM-1 VIDEO DISPLAY MODULE

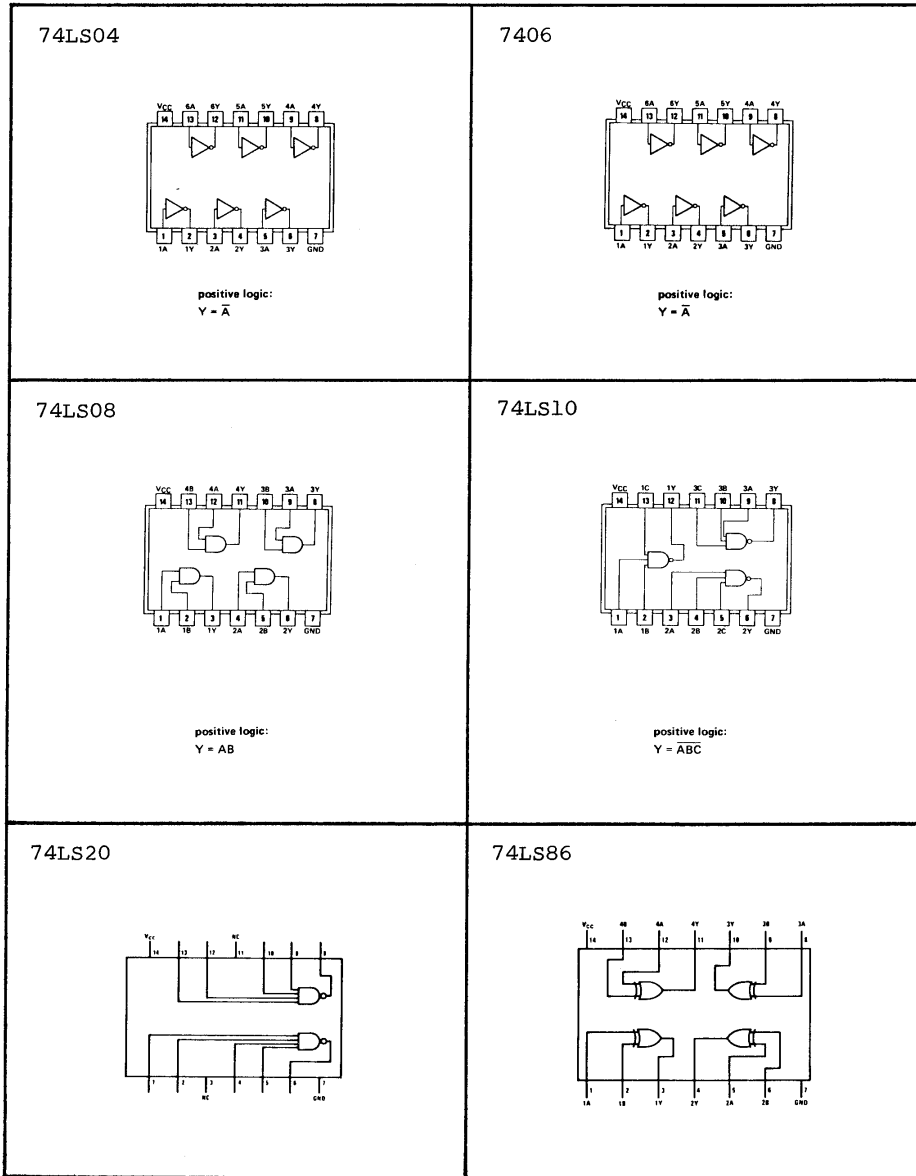
APPENDIX IV



PROCESSOR TECHNOLOGY CORPORATION

VDM-1 VIDEO DISPLAY MODULE

APPENDIX IV

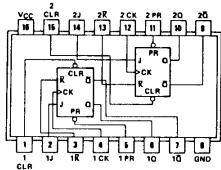


PROCESSOR TECHNOLOGY CORPORATION

VDM-1 VIDEO DISPLAY MODULE

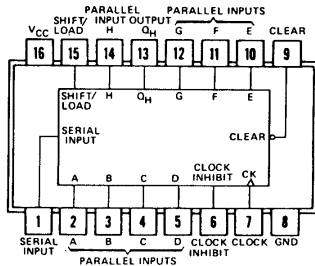
APPENDIX IV

74LS109



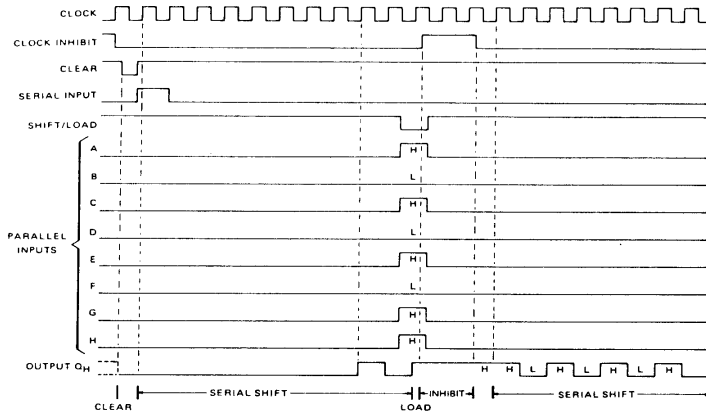
INPUTS					OUTPUTS	
PRESET	CLEAR	CLOCK	J	K	Q	\bar{Q}
L	H	X	X	X	H	L
H	L	X	X	X	L	H
L	L	X	X	X	H*	H*
H	H	↑	L	L	L	H
H	H	↑	H	L	TOGGLE	
H	H	↑	L	H	Q ₀	\bar{Q}_0
H	H	↑	H	H	H	L
H	H	L	X	X	Q ₀	\bar{Q}_0

74166



INPUTS						INTERNAL OUTPUTS		OUTPUT
CLEAR	SHIFT/LOAD	CLOCK INHIBIT	CLOCK	SERIAL	PARALLEL A...H	Q _A	Q _B	Q _H
L	X	X	X	X	X	L	L	L
H	X	L	L	X	X	Q _{A0}	Q _{B0}	Q _{H0}
H	L	L	↑	X	a...h	a	b	h
H	H	L	↑	H	X	H	Q _{An}	Q _{Gn}
H	H	L	↑	L	X	L	Q _{An}	Q _{Gn}
H	X	H	↑	X	X	Q _{A0}	Q _{B0}	Q _{H0}

H = high level (steady state), L = low level (steady state)
 X = irrelevant (any input, including transitions)
 ↑ = transition from low to high level
 a...h = the level of steady-state input at inputs A thru H, respectively.
 Q_{A0}, Q_{B0}, Q_{H0} = the level of Q_A, Q_B, or Q_H, respectively, before the indicated steady-state input conditions were established.
 Q_{An}, Q_{Gn} = the level of Q_A or Q_G, respectively, before the most-recent ↑ transition of the clock.



PROCESSOR TECHNOLOGY CORPORATION

VDM-1 VIDEO DISPLAY MODULE

APPENDIX IV

74LS132

positive logic: $Y = AB$

74LS163 and 93L16

74LS138

INPUTS		OUTPUTS										
		SELECT			DATA							
ENABLE	G2*	C	B	A	Y0	Y1	Y2	Y3	Y4	Y5	Y6	Y7
X	H	X	X	X	H	H	H	H	H	H	H	H
L	X	X	X	X	H	H	H	H	H	H	H	H
H	L	L	L	L	L	H	H	H	H	H	H	H
H	L	L	L	H	H	L	H	H	H	H	H	H
H	L	L	H	L	H	H	L	H	H	H	H	H
H	L	L	H	H	H	H	H	L	H	H	H	H
H	L	H	L	L	H	H	H	H	L	H	H	H
H	L	H	L	H	H	H	H	H	H	L	H	H
H	L	H	H	L	H	H	H	H	H	H	L	H
H	L	H	H	H	H	H	H	H	H	H	H	L

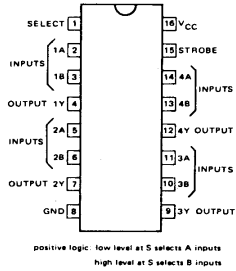
*G2 = G2A + G2B
H = high level, L = low level, X = irrelevant

PROCESSOR TECHNOLOGY CORPORATION

VDM-1 VIDEO DISPLAY MODULE

APPENDIX IV

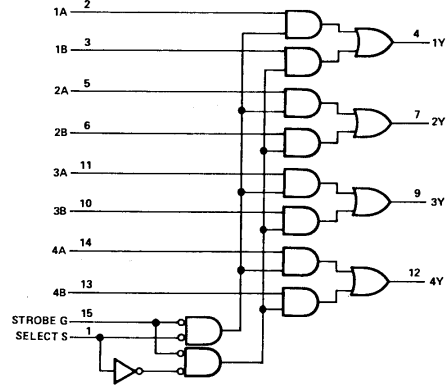
74LS157



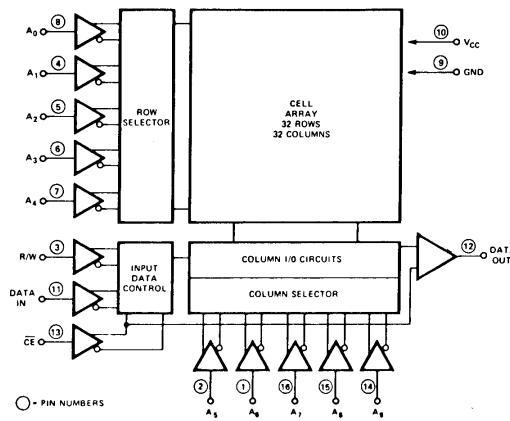
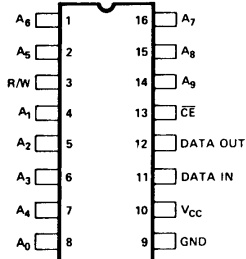
positive logic: low level at S selects A inputs
high level at S selects B inputs

INPUTS				OUTPUT Y
STROBE	SELECT	A	B	
H	X	X	X	L
L	L	L	X	L
L	L	H	X	H
L	H	X	L	L
L	H	X	H	H

H = high level, L = low level, X = irrelevant



91L02 or 21L02

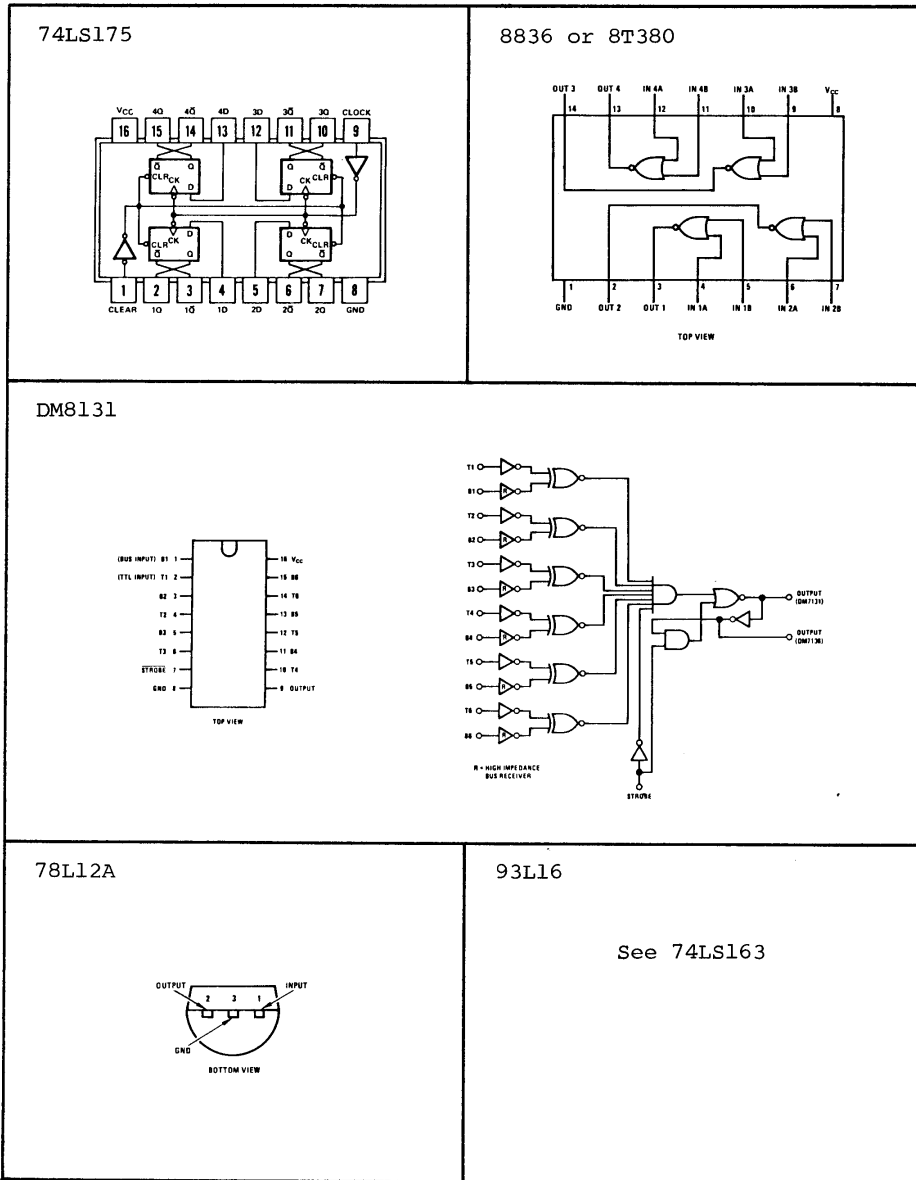


○ - PIN NUMBERS

PROCESSOR TECHNOLOGY CORPORATION

VDM-1 VIDEO DISPLAY MODULE

APPENDIX IV

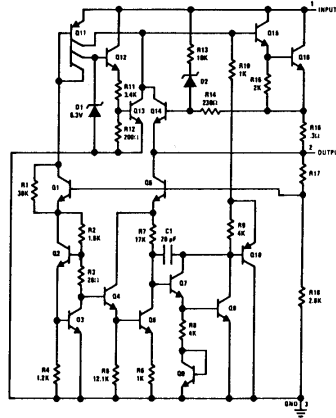
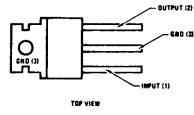


PROCESSOR TECHNOLOGY CORPORATION

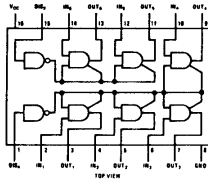
VDM-1 VIDEO DISPLAY MODULE

APPENDIX IV

340T-5.0V or 7805UC



8097 or 8T97



DISABLE DIS ₄	INPUT DIS ₂	INPUT	OUTPUT
0	0	0	0
0	0	1	1
X	1	X	H ₂ **
1	X	X	H ₂ **

*Output 5-6 only
**Output 1-4 only
X = Irrelevant

APPENDIX V

VDM-1 TERMINAL SOFTWARE



<< VDM DRIVER SOFTWARE INSTRUCTIONS >>

The VDM DRIVER SOFTWARE allows the display of printable data onto a television monitor or a modified regular television. The rate at which the data is displayed is controlled from the keyboard used as the input to the computer. The rate may be set from completely stopped to over 2000 characters per second! The entire screen may be cleared from the keyboard and the cursor may be turned on or off as desired. The display format is 16 lines of 64 characters. If the line being displayed exceeds 64 characters the screen is scrolled up and continued on the next screen line. Control characters are not displayed.

The VDM DRIVER program is called by a user output routine or by BASIC depending upon which version is used. In the BASIC version, a sense switch is used to send the data to either the screen or to a printer.

If you wish to use the VDM with MITS BASIC, use the BASIC-VDM DRIVER program which automatically loads the VDM DRIVER SOFTWARE and links itself to BASIC'S output routines.

For use with other programs the machine language VDM DRIVER should be loaded into memory and called by a users program with the data to be displayed in register B.

BASIC-VDM DRIVER

The BASIC version of the VDM DRIVER operates with the same commands as the machine language version. The display speed may be changed during an active screen, (data being presented). The display and program may also be stopped by typing a 'space bar', and then resumed by typing any key except another space. If a number is typed, the display is resumed at the new speed. Changing speed when the display is not active is not possible when running BASIC. The BASIC-VDM DRIVER is also RELOCATABLE and the STATUS BITS and I/O PORTS are AUTOMATICALLY SET to the values your BASIC is running with.

MACHINE LANGUAGE VDM DRIVER

The software requires 512 bytes of memory and may be located anywhere in memory except the first 512 bytes that are used for the relocating hex loader. A simple BINARY loader is used to bootstrap in an Intel format checksum loader that allows the VDM DRIVER software to be placed anywhere in memory. It is usually best to put it in the last 512 bytes of available memory. A users program should CALL to the first location of the VDM DRIVER program with the data in register B. The driver will save the calling programs stack and all of its registers. The data is displayed on the screen and screen operations are performed by the VDM DRIVER, then the calling program's stack and registers are restored and a RETURN is executed.

PROCESSOR TECHNOLOGY CORPORATION

VDM-1 VIDEO DISPLAY MODULE

APPENDIX V

VDM DRIVER OPERATION

1.) INITIALIZING THE SCREEN AND CURSOR

The first time the VDM software is accessed the cursor position must be set. Type a SHIFT K or LEFT BRACKET "[". The screen is cleared and the cursor is set to the bottom left.

SCREEN CONTROL COMMANDS FOR BASIC

CONTROL Z: CLEAR SCREEN AND INITIALIZE CURSOR

CONTROL A: TURN CURSOR ON/OFF

SCREEN CONTROL COMMANDS FOR MACHINE LANGUAGE SOFTWARE

SHIFT K or LEFT BRACKET ([): CLEAR SCREEN & INITIALIZE CURSOR

SHIFT M or RIGHT BRACKET (]): TURN CURSOR OFF/ON

SHIFT L or BACKSLASH (\): SET SPEED {not in BASIC program}

This command will allow the display speed to be changed when there is no active display movement. " NEW SPEED (1-9)? " will appear on the screen. A number 1 thru 9 may then be typed and the display speed will be adjusted accordingly. Any other character typed will cause no change in the speed.

1 = NO DELAY [about 2000 CPS or 2000 60 chr lines per min]

9 = GREATEST DELAY [about 1.5 characters per second]

SPEED CONTROL:

During active display, (driver program being accessed), the speed may be changed or the display stopped. Type a number 1-9 and the speed will change and remain set at that speed until changed again. If the SPACE BAR is typed during display action, the screen will freeze until any key other than the space bar is typed. If a number is typed, the display will resume at the new speed, otherwise the display will resume at the last set speed. The SPACE BAR may be used to 'SINGLE STEP' the display.

NOTE: IN PROGRAMS SUCH AS "BASIC" THAT ALTER THE DATA AVAILABLE FLAG, IT MAY BE NECESSARY TO HIT A SPEED CONTROL VALUE TWICE. THE SAME IS TRUE FOR "BREAK" OR CONTROL "C" IN "BASIC".

MACHINE LANGUAGE VDM DRIVER LOADING INSTRUCTIONS

1.) SET THE BINARY BOOTSTRAP LOADER LISTED HEREIN INTO MEMORY STARTING AT LOCATION ZERO (0).

2.) SET THE SENSE SWITCHES TO THE DESIRED MEMORY LOCATION WHERE THE DRIVER SOFTWARE IS TO RESIDE.

THE 8 SENSE SWITCHES ARE USED BY THE LOADER AS THE STARTING HIGH ORDER BYTE OF MEMORY ADDRESS TO LOAD THE SOFTWARE INTO THE CORRECT LOCATION AND TO ADJUST THE HIGH ORDER ADDRESSES REFERENCED BY THE VDM DRIVER PROGRAM INTERNALLY.

Example:

TO LOAD THE DRIVER STARTING AT 4E00 (HEX); {047000 octal}
THE SENSE SWITCHES SHOULD BE SET TO READ 4E (HEX).

A15-down A14-UP A13-down A12-down : A11-UP A10-UP A9-UP A8-down
 4 E

THE DRIVER WILL THEN LOAD INTO LOCATIONS 4E00H TO 4FFFH.
 47000Q TO 47400Q

!!! MAKE SURE YOU SET THE SENSE SWITCHES PRIOR TO LOADING !!!!!!
Note: The driver will not load into locations 0-1FF as the loading routine resides there during load time.

3.) READ IN THE VDM DRIVER PAPER TAPE STARTING ON THE BLANK LEADER AT THE BEGINNING OF THE TAPE.

Note: There are two sections of the paper tape. The first is the hex loader that is bootstrapped into locations 25H-138H. The second part starts at the blank area on the tape about 3 feet from the beginning, and is the VDM DRIVER software in hexadecimal checksum relocate format.

The binary load routine first loads the hex loading routine and then jumps to that routine and reads in the hexadecimal format VDM DRIVER software. The jump may be noted by a change in the front panel lights. The 'input' light should be on during the reading of the tape by the load routine.

4.) WHEN THE PAPER TAPE HAS BEEN READ THE PROGRAM OUTPUTS "LOAD COMPLETE" TO THE LOAD DEVICE PORT AND ENTERS A HOLD LOOP. THE VDM DRIVER MAY THEN BE CALLED BY ANY PROGRAM. THE DATA IN REGISTER "B" WILL BE DISPLAYED ON THE SCREEN. THE CALLING POINT WILL BE THE FIRST LOCATION USED BY THE DRIVER.

THE SCREEN MUST BE INITIALIZED THE FIRST TIME IT IS ACCESSED. TYPE 'SHIFT K' TO CLEAR SCREEN AND INITIALIZE CURSOR.

5.) ERRORS DURING LOADING

A. IF THE SENSE SWITCHES INDICATE 0 OR 1, THE PROGRAM WILL PRINT "SET SENSE SWITCHES" TO THE LOAD DEVICE PORT. THE SWITCHES SHOULD BE SET TO THE DESIRED ADDRESS AND THE PAPER TAPE REPOSITIONED TO ITS SECOND BLANK AREA. EXAMINE LOCATION 25H {045Q} AND HIT "RUN", AND TURN ON THE TAPE READER.

PROCESSOR TECHNOLOGY CORPORATION

VDM-1 VIDEO DISPLAY MODULE

APPENDIX V

B. IF THE LOADER CANNOT VERIFY THAT THE DATA LOADED IS CORRECT, "MEMORY ERROR" WILL BE OUTPUT TO THE LOAD DEVICE PORT. CHECK TO SEE THAT THE SENSE SWITCHES ARE SET TO THE CORRECT ADDRESS AND THAT MEMORY IS UNPROTECTED.

C. IF THE CHECKSUM VALUE EACH 26 BYTES IS NOT CORRECT, "CHECKSUM ERROR" WILL BE OUTPUT. TRY READING THE TAPE AGAIN FROM THE SECOND BLANK AREA. RESTART THE LOADER PROGRAM FROM LOCATION 25H. IF CHECKSUM ERRORS STILL OCCUR, EITHER THE PAPER TAPE IS BAD OR IS NOT BEING READ PROPERLY.

6.) PORT ADDRESS AND STATUS BITS

THE PAPER TAPE AND LISTING ARE SET UP WITH THE FOLLOWING:

STATUS PORT = 0
DATA PORT = 1
DATA AVAILABLE FLAG BIT = 40H { 1000 } ACTIVE HIGH
TRANSMITTER BUFFER EMPTY BIT = 80H { 2000 } ACTIVE HIGH

ALL REFERENCE TO THIS SET UP IS INDICATED ON THE LISTINGS BY AN ARROW " <-----<<< ".
IF CHANGES ARE NECESSARY FIRST CHANGE THE BINARY BOOT LOADER AND READ THE PAPER TAPE UNTIL THE BLANK AREA 3 FEET FROM THE BEGINNING OF THE TAPE. STOP THE COMPUTER AND MAKE THE CHANGES IN THE HEX LOADER USING THE LISTING AS A REFERENCE. THEN RESTART THE HEX LOADER AT LOCATION 25H AND READ THE REST OF THE PAPER TAPE. AFTER THE TAPE HAS BEEN READ IN, MAKE THE CHANGES TO THE VDM DRIVER AGAIN USING THE LISTING AS A GUIDE. REMEMBER THAT THE HIGH ORDER ADDRESS BYTES WILL BE DIFFERENT ACCORDING TO THE ADDRESS THE PROGRAM WAS SET TO. THE LOW ORDER ADDRESS BYTES WILL CORRESPOND HOWEVER. IF YOUR STATUS IS ACTIVE LOW, CHANGE THE BYTES INDICATED BY AN ARROW " <---[J(N)Z]---<<< " TO "JNZ" OR "JZ" AS NEEDED. IF YOUR STATUS IS ACTIVE LOW, THE INSTRUCTIONS WILL BE THE OPPOSITE OF THOSE IN THE LISTING.

BASIC-VDM DRIVER LOADING INSTRUCTIONS

1.) LOAD BASIC

!!! IMPORTANT !!!

2.) LEAVE AT LEAST 512 BYTES OF MEMORY FREE ABOVE YOUR RESPONSE TO THE QUESTION "MEMORY SIZE? " DURING THE INITIALIAZION OF BASIC. THERE MUST BE ROOM FOR THE DRIVER ABOVE BASIC!
EXAMPLE: IF YOU HAVE 20K OF MEMORY THEN THE DECIMAL EQUIVALENT IS 20480. 20480-512 = 19968 WHICH IS THE MAXIMUM VALUE YOU SHOULD TYPE FOR "MEMORY SIZE".

PROCESSOR TECHNOLOGY CORPORATION

VDM-1 VIDEO DISPLAY MODULE

APPENDIX V

IT IS A GOOD IDEA TO SET THE "TERMINAL WIDTH" TO 63 FOR USE WITH THE VDM.

3.) AFTER BASIC IS INITIALIZED AND PRINTS "OK", TYPE "NEW", TYPE "NULL 0", AND LOAD IN THE BASIC-VDM DRIVER PROGRAM.

4.) PUT SENSE SWITCH A8 UP AND TYPE 'RUN'. THE PROGRAM WILL ASK FOR INFORMATION REGARDING DESTINATION LOCATION, VDM MEMORY ADDRESS , VDM PORT ASSIGNMENT, ETC..

"WAIT A MOMENT....." !!! IMPORTANT !!!
WHEN THE PROGRAM TYPES "WAIT A MOMENT...", IT IS PEEKING THROUGH ITSELF TO DETERMINE STATUS AND I/O VALUES, PATCH POINTS, AND LOADING THE VDM DRIVER SOFTWARE INTO MEMORY. THIS MAY TAKE 30 TO 60 SECONDS. ALL THE FRONT PANEL LIGHTS GO ON AND THEY LOOK VERY STILL; BUT DON'T START TO WORRY THAT THE PROGRAM HAS CRASHED...UNTIL ABOUT 2 MINUTES.....THEN WORRY.

5.) SENSE SWITCH A8 WILL NOW CONTROL THE DESTINATION OF OUTPUT. WHEN THE SWITCH IS UP, DATA WILL GO TO THE DEVICE BASIC WAS SET UP FOR SUCH AS A TELETYPE. WITH THE SWITCH DOWN, THE DATA WILL BE DISPLAYED ON THE TV SCREEN. THE SWITCH MAY BE CHANGED AT ANY TIME, INCLUDING DURING OUTPUT.

6.) TYPE CONTROL Z
THE FIRST TIME THE SCREEN IS ACCESSED IT MUST BE INITIALIZED.

.....you won't use so much paper now

PROCESSOR TECHNOLOGY CORPORATION

VDM-1 VIDEO DISPLAY MODULE

APPENDIX V

```

0000          0001 *
0000          0002 *
0000          0003 *
0000          0004 *      <<< VDM DRIVER BOOTSTRAP LOADER >>>
0000          0005 *      BINARY
0000          0006 *
0000          0007 *      THIS PROGRAM IS USED TO ROOTSTAP IN THE
0000          0008 *      VDM DRIVER SOFTWARE.  THE FIRST PART OF
0000          0009 *      THE VDM TAPE IS AN INTEL HEX CHECKSUM
0000          0010 *      LOADER THAT IS USED TO RELOCATE THE VDM
0000          0011 *      DRIVER CODE ACCORDING TO THE SETTING OF
0000          0012 *      THE SENSE SWITCHES ON THE FRONT PANEL.
0000          0013 *      PLEASE REFER TO LOADING INSTRUCTIONS
0000          0014 *      FOR FURTHER INFORMATION ON THE LOADING
0000          0015 *      PROCEEDURE.
0000          0016 *
0000          0017 *      LOAD THIS PROGRAM STARTING AT LOCATION ZERO (0)
0000          0018 *
0000          0019 *
0000 21 25 00    0020 BEGIN LXI  H,STACK  SET MEMORY ADDRESS
0003 F9          0021      SPHL  .      SET STACK POINTER
0004 4C          0022      MOV   C,H      CLEAR REG C
0005 CD 19 00    0023      CALL IN   GET BINARY BYTE
0008 FE 7F      0024      CPI   7FH    WAIT FOR START BYTE
000A C2 00 00    0025      JNZ  BEGIN
000D          0026 *
000D 0D          0027 CHRIN DCR  C      DECREMENT BYTE COUNT
000E CA 25 00    0028      JZ   STACK  JUMP TO HEX LOADER IF DONE
0011 CD 19 00    0029      CALL IN   GET BYTE
0014 77          0030      MOV   M,A    PUT IT IN MEMORY
0015 23          0031      INX  H      NEXT MEMORY ADDRESS
0016 C3 0D 00    0032      JMP  CHRIN  GET ANOTHER BYTE
0019          0033 *
0019 DB 00      0034 IN   IN   STAT  GET CHR <-----<<<
001B E6 40      0035 ANI  DAV  DATA AVAILABLE? <-----<<<
001D CA 19 00    0036      JZ   IN   NO- WAIT
0020 DB 01      0037 IN   DATA  GET DATA <-----<<<
0022 C9          0038      RET
0023          0039 *
0023          0040      DS   2
0025          0041 STACK EQU  $      STACK ADDRESS
0025          0042 *
0025          0043 *
0025          0044 DATA EQU  1      DATA PORT <-----<<<
0025          0045 STAT EQU  0      STATUS PORT <-----<<<
0025          0046 DAV  EQU  40H    DATA AVAILABLE <-----<<<
0025          0047 *
0025          0048 *

BEGIN 0000      0025
CHRIN 000D      0032
DATA  0001      0037
DAV   0040      0035
IN    0019      0023 0029 0036
STACK 0025      0020 0028
STAT  0000      0034

```

PROCESSOR TECHNOLOGY CORPORATION

VDM-1 VIDEO DISPLAY MODULE

APPENDIX V

```

0025          0001 *
0025          0002 *
0025          0003 *   << INTEL CHECKSUM HEX LOADER FOR VDM-DRIVER >>
0025          0004 *
0025          0005 *
0025          0006 *   VERSION 2.0  APRIL 11, 1976  S. DOMPIER
0025          0007 *
0025          0008 *   THIS IS A MODIFICATION OF AN INTEL HEX CHECKSUM
0025          0009 *   LOADER TO ALLOW RE-LOCATABLE LOADING OF THE
0025          0010 *   VDM-DRIVER SOFTWARE.  THE HIGH ADDRESS IS RCVD
0025          0011 *   FROM THE SENSE SWITCHES, ZERO OR ONE NOT ALLOWED.
0025          0012 *
0025          0013 *
0025 31 38 01  0014 FIRST LXI  SP,STACK  STACK ADDRESS
0028 06 3A    0015 START MVI  B,':'  START OF RECORD
002A CD 18 01  0016      CALL INB   GET CHARACTER
002D 90      0017      SUB   B     RECORD MARK?
002E C2 28 00  0018      JNZ  START NO-WAIT FOR RECORD MARK
0031 57      0019      MOV   D,A   CLEAR CHECKSUM
0032 CD C0 00  0020      CALL READ GET RECORD LENGTH
0035 CA 7D 00  0021      JZ   DONE  IF RECORD=0 THEN DONE
0038 5F      0022      MOV   E,A   RECORD LENGTH IN REG E
0039 CD E6 00  0023      CALL OFFSET GET MSB FROM DATA
003C 61      0024      MOV   H,C   GET MSB FROM DATA
003D CD C0 00  0025      CALL READ  GET LSB OF ADDRESS
0040 6F      0026      MOV   L,A   LSB IN REG L
0041 CD C0 00  0027      CALL READ  SKIP RECORD TYPE
0044          0028 *
0044 CD E6 00  0029 GETCH CALL OFFSET GET CHARACTER
0047 71      0030      MOV   M,C   PUT CHR IN MEMORY
0048 BE      0031      CMP   M     CHECK IF MEMORY IS OK
0049 C2 71 00  0032      JNZ  MERR  NO- MEMORY ERROR
004C 23      0033      INX  H     NEXT ADDRESS
004D 1D      0034      DCR  E     RECORD LENGTH -1
004E C2 44 00  0035      JNZ  GETCH  GET MORE
0051 CD C0 00  0036      CALL READ' GET CHECKSUM
0054 CA 28 00  0037      JZ   START  OK- GET NEXT RECORD
0057          0038 *
0057 21 83 00  0039 CERR  LXI  H,CHKER CHECKSUM ERROR
005A CD FE 00  0040 MSG  CALL  CRLF
005D 7E      0041 MSG2  MOV   A,M
005E FE 58    0042      CPI  'X'
0060 CA 6B 00  0043      JZ   HOLD
0063 47      0044      MOV   B,A
0064 CD 0D 01  0045      CALL OUTB  PRINT CHR
0067 23      0046      INX  H
0068 C3 5D 00  0047      JMP  MSG2
006B          0048 *
006B CD FE 00  0049 HOLD  CALL  CRLF
006E C3 6E 00  0050 HOLD2 JMP  HOLD2
0071          0051 *
0071 21 92 00  0052 MERR  LXI  H,ERR  MEMORY ERROR
0074 C3 5A 00  0053      JMP  MSG
0077 21 9F 00  0054 WHAT  LXI  H,SENSW SET SENSE SWITCHES
007A C3 5A 00  0055      JMP  MSG
007D 21 B2 00  0056 DONE  LXI  H,LCMP  LOAD COMPLETE
0080 C3 5A 00  0057      JMP  MSG
0083          0058 *
0083 43 48 45 43 0059 CHKER ASC  "CHECKSUM ERRORX"
      4B 53 55 4D
      20 45 52 52
      4F 52 58

```

PROCESSOR TECHNOLOGY CORPORATION

VDM-1 VIDEO DISPLAY MODULE

APPENDIX V

0092 4D 45 4D 4F	0060 ERR	ASC	"MEMORY ERRORX"
52 59 20 45			
52 52 4F 52			
58			
009F 53 45 54 20	0061 SENSW	ASC	"SET SENSE SWITCHESX"
53 45 4E 53			
45 20 53 57			
49 54 43 48			
45 53 58			
00B2 4C 4F 41 44	0062 LCMP	ASC	"LOAD COMPLETEX"
20 43 4F 4D			
50 4C 45 54			
45 58			
00C0	0063 *		
00C0 CD D1 00	0064 READ	CALL	NIBBLE GET BYTE
00C3 07	0065	RLC	MOV LSB 4 BITS TO MSB 4 BITS
00C4 07	0066	RLC	
00C5 07	0067	RLC	
00C6 07	0068	RLC	
00C7 4F	0069	MOV	C,A SAVE NIBBLE
00C8 CD D1 00	0070	CALL	NIBBLE
00CB B1	0071	ORA	C ADD TWO NIBBLES TOGETHER FOR A BYTE
00CC 4F	0072	MOV	C,A CHARACTER IN REG C
00CD 82	0073	ADD	D ADD CHECKSUM
00CE 57	0074	MOV	D,A CHECKSUM IN REG D
00CF 79	0075 NO	MOV	A,C
00D0 C9	0076	RET	
00D1	0077 *		
00D1 CD 18 01	0078 NIBBLE	CALL	INB GET CHR
00D4 D6 30	0079	SUI	'0' REMOVE ASCII BIAS
00D6 D8	0080	RC	. DONE IF 0-2FH
00D7 C6 E9	0081	ADI	'0'-'G'
00D9 D8	0082	RC	. DONE IF 47H-OFFH
00DA C6 06	0083	ADI	6
00DC F2 E2 00	0084	JP	NIB2 ADD 10 IF A-F
00DF C6 07	0085	ADI	7
00E1 D8	0086	RC	. DONE IF 3AH-40H
00E2 C6 0A	0087 NIB2	ADI	10
00E4 B7	0088	ORA	A SET ZERO FLAG
00E5 C9	0089	RET	
00E6	0090 *		
00E6 CD C0 00	0091 OFFSET	CALL	READ GET CHR
00E9 D6 08	0092	SUI	8 CHECK IF 8 OR 9
00EB CA F3 00	0093	JZ	YES
00EE FE 01	0094	CPI	1
00F0 C2 CF 00	0095	JNZ	NO
00F3 4F	0096 YES	MOV	C,A
00F4 DB FF	0097	IN	OFFH READ SENSE SWITCHES
00F6 FE 02	0098	CPI	2 MUST BE > 1
00F8 DA 77 00	0099	JC	WHAT NO- ERROR
00FB 81	0100	ADD	C ADD OFFSET
00FC 4F	0101	MOV	C,A
00FD C9	0102	RET	
00FE	0103 *		
00FE 06 0D	0104 CRLF	MVI	B,0DH CARRIAGE RETURN
0100 CD 0D 01	0105	CALL	OUTB
0103 06 0A	0106	MVI	B,0AH LINE FEED
0105 CD 0D 01	0107	CALL	OUTB
0108 06 7F	0108	MVI	B,7FH FILL
010A CD 0D 01	0109	CALL	OUTB
010D	0110 *		
010D DB 00	0111 OUTB	IN	STAT <----<<<

PROCESSOR TECHNOLOGY CORPORATION

VDM-1 VIDEO DISPLAY MODULE

APPENDIX V

```

010F E6 80          0112      ANI   TBE   <---<<<
0111 CA OD 01      0113      JZ    OUTB
0114 78            0114      MOV   A,B
0115 D3 01         0115      OUT  DATA <---<<<
0117 C9           0116      RET
0118              0117      *
0118 DB 00         0118 INB   IN    STAT  CHECK STATUS PORT <---<<<
011A E6 40         0119      ANI   DAV   DATA AVAILABLE? <---<<<
011C CA 18 01     0120      JZ    INB   NO- WAIT <---[ J(N)Z ]---<<<
011F DB 01        0121      IN    DATA  GET CHR FROM DATA PORT <---<<<
0121 E6 7F        0122      ANI   7FH
0123 C9           0123      RET
0124              0124      *
0124              0125      *
0124              0126 STAT  EQU   0    STATUS PORT <---<<<
0124              0127 DATA EQU   1    DATA PORT <---<<<
0124              0128 DAV   EQU  40H  DATA AVAILABLE <---<<<
0124              0129 TBE   EQU  80H  TRANSMITTER BUFFER EMPTY <---<<<
0124              0130      *
0124              0131      DS   20    STACK AREA
0138              0132 STACK EQU   $
0138              0133      *
0138              0134      *

CERR  0057
CHKR  0083      0039
CRLF  00FE      0040 0049
DATA  0001      0115 0121
DAV   0040      0119
DONE  007D      0021
ERR   0092      0052
FIRST 0025
GETCH 0044      0035
HOLD  006B      0043
HOLD2 006E      0050
INB   0118      0016 0078 0120
LCMP  00B2      0056
MERR  0071      0032
MSG   005A      0053 0055 0057
MSG2  005D      0047
NIB2  00E2      0084
NIBBL 00D1      0064 0070
NO    00CF      0095
OFFSE 00E6      0023 0029
OUTB  010D      0045 0105 0107 0109 0113
READ  00C0      0020 0025 0027 0036 0091
SENSW 009F      0054
STACK 0138      0014
START 0028      0018 0037
STAT  0000      0111 0118
TBE   0080      0112
WHAT  0077      0099
YES   00F3      0093

```


PROCESSOR TECHNOLOGY CORPORATION

VDM-1 VIDEO DISPLAY MODULE

APPENDIX V

```

0800          0001 *
0800          0002 *
0800          0003 *          <<<  VDM DISPLAY DRIVER  >>>
0800          0004 *
0800          0005 *          VERSION 3.0  APRIL 12,1976  S.DOMPIER
0800          0006 *
0800          0007 *
0800          0008 *
0800          0009 *          INPUT ROUTINE
0800          0010 *
0800          0011 * THIS ROUTINE SAVES THE CALLING STACK,
0800          0012 * PERFORMS SCREEN OPERATIONS AND RETURNS
0800          0013 * TO THE CALLING PROGRAM AFTER RESTORING
0800          0014 * THE SYSTEM STACK.  IT MAY BE USED WITH
0800          0015 * PTCO. "SOFTWARE PACKAGE #1" WITH
0800          0016 * EXCELLENT RESULTS.  THE CHARACTER TO BE
0800          0017 * DISPLAYED SHOULD BE IN REGISTER B.
0800          0018 *
0800          0019 *
0800          3333 *          VDM MEMORY ADDRESS = CCOOH
0800          3333 *          VDM PORT   = C8
0800          3333 *          DATA PORT = 1
0800          3333 *          STATUS PORT = 0
0800          3333 *          DAV = 40H
0800          3333 *          TBE = 80H
0800          3333 *
0800          3333 *
0800          0020 *          CALL HERE WITH CHARACTER IN REG B
0800          0021 *
0800          0022 *
0800 22 B7 09 0023 VDM  SHLD  HLSAV  SAVE HL
0803 21 00 00 0024      LXI   H,0
0806 39          0025      DAD   SP      GET SYSTEM STACK POINTER
0807 31 F0 09 0026      LXI   SP,STACK  SET NEW STACK
080A E5          0027      PUSH  H        SAVE SYSTEM STACK POINTER
080B D5          0028      PUSH  D        SAVE ALL REGISTERS
080C C5          0029      PUSH  B
080D F5          0030      PUSH  PSW
080E CD 1A 08 0031      CALL  SCREEN  DO SCREEN OPERATIONS
0811 F1          0032      POP   PSW      RESTORE REGISTERS
0812 C1          0033      POP   B
0813 D1          0034      POP   D
0814 E1          0035      POP   H
0815 F9          0036      SPHL  RESTORE SYSTEM STACK
0816 2A B7 09 0037      LHLD  HLSAV  RESTORE HL
0819 C9          0038      RET   .        BACK TO CALLING PROGRAM
081A          0039 *
081A          0040 *
081A          0041 *
081A 78          0042 SCREEN MOV  A,B    GET CHR
081B E6 7F      0043      ANI   7FH    STRIP MSB
081D FE 7F      0044      CPI   7FH    DON'T WANT DELETE
081F C8          0045      RZ
0820 FE 5F      0046      CPI   5FH    BACKSPACE? (shift O)
0822 CA 2D 09 0047      JZ   BKSPA
0825 FE 5B      0048      CPI   '['    CLEAR SCREEN? (shift K)
0827 CA CE 08 0049      JZ   CLR
082A FE 5D      0050      CPI   ']'    CURSOR OFF/ON? (shift M)
082C CA 41 09 0051      JZ   CURTG
082F FE 5C      0052      CPI   '\'    SPEED CONTROL? (shift L)
0831 CA 81 08 0053      JZ   SETSP
0834 FE 0D      0054      CPI   0DH    CARRIAGE RETURN?

```

PROCESSOR TECHNOLOGY CORPORATION

VDM-1 VIDEO DISPLAY MODULE

APPENDIX V

```

0836 CA 15 09      0055      JZ      CHOT2
0839 FE 20        0056      CPI     20H
083B D8           0057      RC      .      DON'T DISPLAY CONTROL CHRS
083C              0058      *
083C              0059      *
083C              0060      *
083C              0061      *      OUTPUT TIMER
083C              0062      *
083C F5          0063      TIMER  PUSH  PSW  SAVE CHARACTER
083D 3A B6 09    0064      LDA     SPEED  GET DELAY TIME
0840 67          0065      MOV     H,A    SET COUNTER IN HL
0841 2E 80       0066      MVI     L,80H
0843 CD A7 09    0067      CALL    STATUS  ANYBODY WANT IN?
0846 CA 6E 08    0068      JZ      NEXT2  NO- CONTINUE <-----[ J(N)Z ]---<<<
0849 CD AC 09    0069      CALL    INPUT  YES- SEE WHO IT IS
084C CD 52 08    0070      CALL    NUMCK
084F C3 6D 08    0071      JMP     NEXT
0852              0072      *
0852              0073      *
0852              0074      *      CHECK FOR TIME CONTROL VALUE
0852              0075      *
0852 FE 3A       0076      NUMCK  CPI     '9'+1  NO- CHECK IF ASCII NUMBER 1-9
0854 D2 77 08    0077      JNC     WAIT  TO BIG
0857 FE 31       0078      CPI     '1'
0859 DA 77 08    0079      JC      WAIT  TO SMALL
085C E6 0F       0080      ANI     OFH   JUST RIGHT- REMOVE ASCII BIAS
085E 4F          0081      MOV     C,A   SAVE DELAY NUMBER
085F AF          0082      XRA     A     CLEAR ACCUMULATOR
0860 37          0083      STC     .     INITIALIZE DELAY BIT IN CARRY
0861 0D          0084      LESS   DCR     C     DECREMENT DELAY NUMBER
0862 CA 69 08    0085      JZ      FOUND  STOP ROTATING DELAY BIT
0865 17          0086      RAL     .     SHIFT DELAY BIT LEFT
0866 C3 61 08    0087      JMP     LESS   NEXT ROUND
0869 32 B6 09    0088      FOUND  STA     SPEED  STORE DELAY TIME
086C C9          0089      RET
086D              0090      *
086D 2B          0091      NEXT   DCX     H     DELAY MINUS ONE
086E 7C          0092      NEXT2  MOV     A,H   GET HIGH BYTE OF DELAY COUNT
086F B7          0093      ORA     A     IS IT ZERO?
0870 C2 6D 08    0094      JNZ     NEXT  NO- DELAY SOME MORE
0873 F1          0095      POP     PSW   GET CHR
0874 C3 00 09    0096      JMP     CHOUT  TO THE SCREEN!
0877              0097      *
0877              0098      *
0877 FE 20       0099      WAIT   CPI     20H   SPACE BAR?
0879 C0          0100      RNZ     .     NO- CONTINUE
087A CD A7 09    0101      WAIT2  CALL    STATUS  YES- WAIT FOR KEYBOARD INPUT
087D CA 7A 08    0102      JZ      WAIT2  <-----[ J(N)Z ]---<<<
0880 C9          0103      RET
0881              0104      *
0881              0105      *
0881              0106      *      SET DISPLAY SPEED
0881              0107      *
0881 CD 15 09    0108      SETSP  CALL    CHOT2
0884 21 BA 08    0109      LXI     H,MSG  SPEED MESSAGE
0887 7E          0110      SET1   MOV     A,M
0888 FE 58       0111      CPI     'X'   MESSAGE TERMINATOR
088A CA 96 08    0112      JZ      SET2
088D E5          0113      PUSH   H
088E CD 00 09    0114      CALL    CHOUT  MESSAGE TO SCREEN
0891 E1          0115      POP     H
0892 23          0116      INX     H

```

PROCESSOR TECHNOLOGY CORPORATION

VDM-1 VIDEO DISPLAY MODULE

APPENDIX V

0893 C3 87 08	0117	JMP	SET1	
0896 CD A7 09	0118 SET2	CALL	STATUS	GET NEW SPEED
0899 CA 96 08	0119	JZ	SET2	WAIT FOR IT <-----[J(N)Z]----<<<
089C CD AC 09	0120	CALL	INPUT	GET NUMBER
089F FE 3A	0121	CPI	'9'+1	
08A1 D2 B4 08	0122	JNC	OPPS	TO BIG
08A4 FE 31	0123	CPI	'1'	
08A6 DA B4 08	0124	JC	OPPS	TO SMALL
08A9 F5	0125	PUSH	PSW	SAVE IT
08AA CD 00 09	0126	CALL	CHOUT	DISPLAY IT
08AD CD 15 09	0127	CALL	CHOT2	
08B0 F1	0128	POP	PSW	
08B1 C3 52 08	0129	JMP	NUMCK	
08B4 21 CC 08	0130 OPPS	LXI	H,MSG+18	PRINT "?"
08B7 C3 87 08	0131	JMP	SET1	
08BA 20 4E 45 57	0132 MSG	ASC	" NEW SPEED (1-9)? X"	
20 53 50 45				
45 44 20 28				
31 2D 39 29				
3F 20 20 58				
08CE	0133 *			
08CE	0134 *			
08CE	0135 *			
08CE	0136 *			CLEAR SCREEN & INITIALIZE CURSOR
08CE 21 00 CC	0137 CLR	LXI	H,VDMBASE	VDM MEMORY ADDRESS <---<<<
08D1 7C	0138	MOV	A,H	
08D2 C6 04	0139	ADI	4	VDM MEMORY TOP
08D4 36 20	0140 CLR2	MVI	M,' '	CLEAR SCREEN
08D6 23	0141	INX	H	
08D7 BC	0142	CMP	H	
08D8 C2 D4 08	0143	JNZ	CLR2	
08DB AF	0144	XRA	A	
08DC 32 B4 09	0145	STA	BOSL	BEGINNING SCREEN LINE
08DF 32 B5 09	0146	STA	BOTL	BEGINNING TEXT LINE
08E2 32 B2 09	0147	STA	CCP	CURRENT CURSOR POINTER
08E5 2F	0148	CMA		
08E6 32 B3 09	0149	STA	CURF	CURSOR FLAG
08E9 3E 0F	0150	MVI	A,15	SET CURSOR AT SCREEN BOTTOM
08EB 32 B1 09	0151	STA	CLN	CURRENT LINE NUMBER
08EE CD F2 08	0152	CALL	VDMOT	SET VDM
08F1 C9	0153	RET		
08F2	0154 *			
08F2	0155 *			
08F2	0156 *			OUTPUT BOSL AND BOTL TO VDM
08F2	0157 *			
08F2 3A B4 09	0158 VDMOT	LDA	BOSL	INITIALIZE VDM
08F5 07	0159	RLC		
08F6 07	0160	RLC		
08F7 07	0161	RLC		
08F8 07	0162	RLC		
08F9 21 B5 09	0163	LXI	H,BOTL	
08FC B6	0164	ORA	M	
08FD D3 C8	0165	OUT	VDMDEV	VDM PORT ADDRESS <----<<<
08FF C9	0166	RET		
0900	0167 *			
0900	0168 *			
0900	0169 *			
0900	0170 *			STORE CHARACTER IN VDM MEMORY
0900	0171 *			
0900 4F	0172 CHOUT	MOV	C,A	SAVE CHR
0901 3A B2 09	0173	LDA	CCP	GET CURRENT CURSOR POINTER
0904 47	0174	MOV	B,A	

PROCESSOR TECHNOLOGY CORPORATION

VDM-1 VIDEO DISPLAY MODULE

APPENDIX V

0905	3A B1 09	0175	LDA	CLN	GET LINE NUMBER
0908	CD 70 09	0176	CALL	CLNA	CONVERT TO ADDRESS
090B	71	0177	MOV	M,C	PUT CHARACTER ON SCREEN
090C	3A B2 09	0178	LDA	CCP	ADVANCE CURSOR
090F	3C	0179	INR	A	
0910	FE 40	0180	CPI	64	WRAP AROUND?
0912	C2 23 09	0181	JNZ	CHOT1	
0915	3A B2 09	0182	CHOT2	LDA	CCP
0918	47	0183	MOV	B,A	
0919	3A B1 09	0184	LDA	CLN	
091C	CD 9F 09	0185	CALL	CCUR	CLEAR CURSOR
091F	CD 52 09	0186	CALL	SCRL	SCROLL UP
0922	97	0187	SUB	A	SET CURSOR TO LEFT MARGIN
0923	32 B2 09	0188	CHOT1	STA	CCP
0926	47	0189	MOV	B,A	
0927	3A B1 09	0190	LDA	CLN	
092A	C3 83 09	0191	JMP	SCUR	SET CURSOR ON/OFF
092D		0192	*		
092D		0193	*		
092D		0194	*		BACK SPACE AND ERASE LAST CHR
092D		0195	*		
092D	3A B2 09	0196	BKSPA	LDA	CCP
0930	47	0197	MOV	B,A	GET CURSOR POINTER
0931	3A B1 09	0198	LDA	CLN	
0934	CD 9F 09	0199	CALL	CCUR	CLEAR CURSOR
0937	2B	0200	DCX	H	
0938	36 20	0201	MVI	M,' '	CLEAR CHR
093A	05	0202	DCR	B	
093B	3A B1 09	0203	LDA	CLN	
093E	C3 83 09	0204	JMP	SCUR	SET CURSOR
0941		0205	*		
0941		0206	*		
0941		0207	*		CURSOR DISPLAY (OFF-ON)
0941		0208	*		
0941	3A B3 09	0209	CURTG	LDA	CURF
0944	2F	0210	CMA		GET CURSOR FLAG
0945	32 B3 09	0211	STA	CURF	SWITCH IT
0948	3A B2 09	0212	LDA	CCP	GET CURSOR POINTER
094B	47	0213	MOV	B,A	
094C	3A B1 09	0214	LDA	CLN	GET LINE NUMBER
094F	C3 83 09	0215	JMP	SCUR	CURSOR ON/OFF
0952		0216	*		
0952		0217	*		
0952		0218	*		SCROLL SCREEN UP
0952		0219	*		
0952	21 B5 09	0220	SCRL	LXI	H,BOTL
0955	E5	0221	PUSH	H	
0956	7E	0222	MOV	A,M	
0957	34	0223	INR	M	
0958	96	0224	SUB	M	
0959	01 00 00	0225	LXI	B,0	
095C	CD 70 09	0226	CALL	CLNA	
095F	01 40 20	0227	LXI	B,2040H	
0962	70	0228	SCRL2	MOV	M,B
0963	2C	0229	INR	L	CLEAR BOTTOM LINE
0964	0D	0230	DCR	C	
0965	C2 62 09	0231	JNZ	SCRL2	
0968	E1	0232	POP	H	
0969	7E	0233	MOV	A,M	
096A	E6 0F	0234	ANI	0FH	
096C	77	0235	MOV	M,A	
096D	C3 F2 08	0236	JMP	VDMOT	

PROCESSOR TECHNOLOGY CORPORATION

VDM-1 VIDEO DISPLAY MODULE

APPENDIX V

```

0970          0237 *
0970          0238 *
0970          0239 *      CONVERT LINE NUMBER IN REG A AND CHR
0970          0240 *      POSITION IN REG B TO ADDRESS IN HL
0970          0241 *
0970 6F          0242 CLNA  MOV   L,A
0971 3A B5 09    0243 LDA   BOTL  LOAD THE OFFSET FOR LINE 0
0974 85          0244 ADD   L      REG A LOW 4 BITS IS LINE NUMBER
0975 0F          0245 RRC
0976 0F          0246 RRC
0977 6F          0247 MOV   L,A
0978 E6 03       0248 ANI   3
097A C6 CC       0249 ADI   VDMPAGE <---<<<
097C 67          0250 MOV   H,A
097D 7D          0251 MOV   A,L
097E E6 C0       0252 ANI   0COH
0980 80          0253 ADD   B
0981 6F          0254 MOV   L,A
0982 C9          0255 RET
0983            0256 *
0983            0257 *
0983            0258 *      SET CURSOR TO LINE IN REG A AND
0983            0259 *      CHARACTER POSITION IN REG B
0983            0260 *
0983 E6 0F       0261 SCUR  ANI   0FH
0985 32 B1 09    0262 STA   CLN
0988 CD 70 09    0263 CALL  CLNA
098B 78          0264 MOV   A,B
098C 32 B2 09    0265 STA   CCP
098F 3A B3 09    0266 LDA   CURF
0992 B7          0267 ORA   A
0993 7E          0268 MOV   A,M
0994 CA 9B 09    0269 JZ   CCUR2
0997 F6 80       0270 ORI   80H
0999 77          0271 MOV   M,A
099A C9          0272 RET
099B E6 7F       0273 CCUR2 ANI   7FH
099D 77          0274 MOV   M,A
099E C9          0275 RET
099F            0276 *
099F            0277 *      CLEAR CURSOR FROM LINE IN REG A
099F            0278 *      AND POSITION IN REG B
099F            0279 *
099F CD 70 09    0280 CCUR  CALL  CLNA
09A2 7E          0281 MOV   A,M
09A3 E6 7F       0282 ANI   7FH
09A5 77          0283 MOV   M,A
09A6 C9          0284 RET
09A7            0285 *
09A7            0286 *
09A7            0287 *      SPEED CONTROL INPUT ROUTINE
09A7            0288 *
09A7 DB 00       0289 STATUS IN   STAT  STATUS PORT <---<<<
09A9 E6 40       0290 ANI   DAV   DATA AVAILABLE? <---<<<
09AB C9          0291 RET
09AC            0292 *
09AC DB 01       0293 INPUT  IN   DATA  DATA PORT <---<<<
09AE E6 7F       0294 ANI   7FH   STRIP MSB
09B0 C9          0295 RET
09B1            0296 *
09B1            0297 *
09B1            0298 *      RAM STORAGE

```

PROCESSOR TECHNOLOGY CORPORATION

VDM-1 VIDEO DISPLAY MODULE

APPENDIX V

```

09B1          0299 *
09B1 00      0300 CLN   DB   0    CUREENT LINE NUMBER
09B2 00      0301 CCP   DB   0    CUREENT CURSOR POSITION
09B3 01      0302 CURF  DB   1    CURSOR DISPLAY FLAG
09B4 00      0303 BOSL  DB   0    BEGINNING OF SCREEN LINE
09B5 00      0304 BOTL  DB   0    BEGINNING OF TEXT LINE
09B6 06      0305 SPEED DB   6    DELAY BYTE
09B7          0306 HLSAV DS   2    USER HL
09B9          0307 *
09B9          0308 *
09B9          0309 SP   EQU   6
09B9          0310 PSW   EQU   6
09B9          0311 VDMDEV EQU 0C8H  VDM OUTPUT PORT <---<<<
09B9          0312 VDMBASE EQU 0C00H  VDM MEMORY ADDRESS <---<<<
09B9          0313 VDMPAGE EQU VDMBASE/256 <---<<<
09B9          0314 *
09B9          0315 *
09B9          0316 STAT  EQU   0    STATUS PORT <---<<<
09B9          0317 DATA  EQU   1    DATA PORT <---<<<
09B9          0318 TBE   EQU  80H  TRANSMITTER BUFFER EMPTY <---<<<
09B9          0319 DAV   EQU  40H  DATA AVAILABLE <---<<<
09B9          0320 *
09B9          0321 *
09B9          0322 STACK EQU  09F0H  STACK AREA
09B9          0323 *
09B9          0324 *

BKSPA 092D    0047
BOSL  09B4    0145 0158
BOTL  09B5    0146 0163 0220 0243
CCP   09B2    0147 0173 0178 0182 0188 0196 0212 0265
CCUR  099F    0185 0199
CCUR2 099B    0269
CHOT1 0923    0181
CHOT2 0915    0055 0108 0127
CHOUT 0900    0096 0114 0126
CLN   09B1    0151 0175 0184 0190 0198 0203 0214 0262
CLNA  0970    0176 0226 0263 0280
CLR   08CE    0049
CLR2  08D4    0143
CURF  09B3    0149 0209 0211 0266
CURTG 0941    0051
DATA  0001    0293
DAV   0040    0290
FOUND 0869    0085
HLSAV 09B7    0023 0037
INPUT 09AC    0069 0120
LESS  0861    0087
MSG   08BA    0109 0130
NEXT  086D    0071 0094
NEXT2 086E    0068
NUMCK 0852    0070 0129
OPPS  08B4    0122 0124
PSW   0006    0030 0032 0063 0095 0125 0128
SCREE 081A    0031
SCRL  0952    0186
SCRL2 0962    0231
SCUR  0983    0191 0204 0215
SET1  0887    0117 0131
SET2  0896    0112 0119
SETSP 0881    0053
SP    0006    0025 0026

```

PROCESSOR TECHNOLOGY CORPORATION

VDM-1 VIDEO DISPLAY MODULE

APPENDIX V

SPEED	09B6	0064	0088
STACK	09F0	0026	
STAT	0000	0289	
STATU	09A7	0067	0101 0118
TBE	0080		
TIMER	083C		
VDM	0800		
VDMBA	CC00	0137	
VDMDE	00C8	0165	
VDMOT	08F2	0152	0236
VDMPA	00CC	0249	
WAIT	0877	0077	0079
WAIT2	087A	0102	

PROCESSOR TECHNOLOGY CORPORATION

VDM-1 VIDEO DISPLAY MODULE

APPENDIX V

```
0000 REM
0002 REM <<< BASIC TO VDM-1 LINK PROGRAM >>>
0004 REM
0006 REM     PROCESSOR TECHNOLOGY CORP.
0008 REM     6200 HOLLIS STREET
0010 REM     EMERYVILLE, CALIFORNIA   94608
0012 PRINT
0014 A$="(HEX) IS YOUR LAST ADDRESS, INPUT:"
0016 B$="GIVE ME YOUR VDM":C$="ADDRESS IN DECIMAL"
0018 PRINT"<<< VDM TO BASIC LOADING AND LINKING PROGRAM >>>"
0020 PRINT" WRITTEN IN BASIC LANGUAGE BY GORDON FRENCH":PRINT
0022 PRINT"REMEMBER, IF YOU DID NOT LEAVE THE LAST 512 BYTES"
0024 PRINT"OF YOUR LAST 4K OF MEMORY FREE WHEN RESPONDING"
0026 PRINT"TO ' ' MEMORY SIZE ? ' ' WHEN THIS BASIC WAS"
0028 PRINT"LOADED, YOU MUST RELOAD BASIC WITH THE CORRECTED"
0030 PRINT"INFORMATION FOR 'MEMORY SIZE'":PRINT:PRINT
0032 PRINT"INPUT DECIMAL NUMBER OF YOUR LAST 4K BOUNDRY"
0034 PRINT"(EXAMPLE: IF 4FFF "A$" 4(RETURN)"
0036 PRINTTAB(10)"IF 5FFF "A$" 5(RETURN)  "
0037 PRINTTAB(10) "IF AFFF "A$"10(RETURN)  ETC."
0038 INPUT L:IF L<=7 THEN S=0:GOTO 46
0040 PRINT"IS THIS 12K EXTENDED BASIC? (Y/N)":INPUT D$
0042 IF D$="Y" THEN S=65536:GOTO 46
0043 IF D$<>"N"THEN 40
0044 GOTO 84
0046 IF L>15 OR L=0 THEN 32
0048 L=(L*4096)+3584:P=L/256:L=L-S
0050 PRINT"IS YOUR VDM MEMORY ADDRESS CC00(HEX)";
0052 PRINT" WITH PORT=C8? (Y/N)"
0054 INPUT D$:IF D$="Y"GOTO 64
0055 IF D$<>"N" THEN 50
0056 PRINTB$" MEMORY STARTING "C$:INPUT V2
0058 V1=INT(V2/256):V2=((V2/256)-INT(V2/256))*256
0060 PRINTB$" PORT "C$:INPUT V3:IF V3>255 GOTO 60
0062 GOTO 68
0064 V1=204:V2=0:V3=200:V4=192
0068 PRINT"A MOMENT PLEASE..."
0070 S=0
0072 FOR K=0 TO 4096
0074 A=PEEK(K)
0076 B=PEEK(K+1)
0078 IF A = 219 AND B = 0 GOTO 92
0080 IF A = 219 AND B = 1 THEN I=K:GOTO 106
0082 NEXT K
0084 PRINT"IT IS NOT POSSIBLE TO LINK VDM-1";
0086 PRINT" TO THIS BASIC BY MEANS"
0088 PRINT"OF THIS PROGRAM.  SORRY!"
0090 GOTO 146
0092 IF S>0 THEN GOTO 100
0094 C=PEEK(K+2):D=PEEK(K+3):E=PEEK(K+4):F=K+4
0096 IF C<>230 THEN GOTO 82
0098 S=S+1:G=K:GOTO 82
```


PROCESSOR TECHNOLOGY CORPORATION

VDM-1 VIDEO DISPLAY MODULE

APPENDIX V

```
0100 H=PEEK(K+3):J=0
0102 F=F-256:J=J+1:IF F>256 GOTO 102
0104 GOTO 82
0106 FOR Y=L TO L+409
0108 READ Z
0110 IF Z<300 GOTO 138
0112 IF Z=300 THEN Z=V3: GOTO 138
0114 IF Z=400 THEN Z=V2: GOTO 138
0116 IF Z=500 THEN Z=V1: GOTO 138
0118 IF Z=1001 THEN Z=P+1: GOTO 138
0120 IF Z=1000 THEN Z=P: GOTO 138
0122 IF Z=2000 THEN Z=D: GOTO 138
0124 IF Z=3000 THEN Z=E: GOTO 138
0126 IF Z=4000 THEN Z=F: GOTO 138
0128 IF Z=5000 THEN Z=J: GOTO 138
0130 IF Z=6000 THEN Z=H: GOTO 138
0132 PRINT"THIS PROGRAM LOAD IS BAD.";
0134 PRINT" PLEASE RELOAD THIS PROGRAM."
0136 GOTO 146
0138 POKE Y,Z:NEXT Y
0140 POKE G,195:POKE G+1,0:POKE G+2,P
0142 POKE I,205:POKE I+1,110:POKE I+2,P+1:POKE I+3,0
0144 PRINT"VDM-1 IS NOW LINKED TO BASIC":PRINT
0145 PRINT"DO NOT ATTEMPT TO RE-RUN THIS PROGRAM !":PRINT
0146 RESTORE
0148 NULL 0
0150 END
0152 DATA219,255,31,210,13,1000,219,0,230,2000
0154 DATA195,4000,5000,241,230,127,254,32,210,43
0156 DATA1000,254,7,194,30,1000,245,195,6,1000
0158 DATA254,13,202,46,1000,254,1,202,46,1000
0160 DATA254,26,192,254,127,200,245,229,213,197
0162 DATA205,58,1000,193,209,225,241,201,245,58
0164 DATA146,1001,103,46,128,205,105,1001,3000,104
0166 DATA1000,205,110,1001,50,140,1001,254,58,210
0168 DATA112,1000,254,49,218,112,1000,230,15,79
0170 DATA175,55,13,202,100,1000,23,195,92,1000
0172 DATA50,146,1001,43,124,183,194,103,1000,195
0174 DATA181,1000,254,32,194,103,1000,205,105,1001
0176 DATA3000,117,1000,195,103,1000,33,400,500,124
0178 DATA198,4,54,32,35,188,194,132,1000,175
0180 DATA50,144,1001,50,145,1001,50,142,1001,47
0182 DATA50,143,1001,62,15,50,141,1001,205,167
0184 DATA1000,62,13,245,195,181,1000,58,144,1001
0186 DATA7,7,7,7,33,145,1001,182,211,300
0188 DATA201,58,142,1001,71,241,254,13,202,223
0190 DATA1000,254,95,202,243,1000,254,1,202,3
0192 DATA1001,254,26,202,126,1000,79,58,141,1001
0194 DATA205,50,1001,113,58,142,1001,60,254,64
0196 DATA194,233,1000,58,141,1001,205,97,1001,205
0198 DATA20,1001,151,50,142,1001,71,58,141,1001
0200 DATA195,69,1001,58,141,1001,205,97,1001,43
```

PROCESSOR TECHNOLOGY CORPORATION

VDM-1 VIDEO DISPLAY MODULE

APPENDIX V

0202 DATA54,32,5,58,141,1001,195,69,1001,58
0204 DATA143,1001,47,50,143,1001,58,142,1001,71
0206 DATA58,141,1001,195,69,1001,33,145,1001,229
0208 DATA126,52,150,1,0,0,205,50,1001,1
0210 DATA64,32,112,44,13,194,36,1001,225,126
0212 DATA230,15,119,195,167,1000,111,58,145,1001
0214 DATA133,15,15,111,230,3,198,500,103,125
0216 DATA230,192,128,111,201,230,15,50,141,1001
0218 DATA205,50,1001,120,50,142,1001,58,143,1001
0220 DATA183,126,202,93,1001,246,128,119,201,230
0222 DATA127,119,201,205,50,1001,126,230,127,119
0224 DATA201,219,0,230,6000,201,58,140,1001,254
0226 DATA3,194,125,1001,245,175,50,140,1001,241
0228 DATA201,219,1,230,127,254,1,202,46,1000
0230 DATA254,26,202,46,1000,201,0,0,0,1
0232 DATA0,0,6,0,0,0,0,0,0,0

APPENDIX VI

TELEVISION INTERFACE



Television Interface

Anyone with a bunch of memory circuits, control logic and a wire wrap gun can whip up a digital video generator with TTL output levels. The problem as I see it is to get that digital video signal into a form that the TV set can digest. The care and feeding of digital inputs to the TV set is the subject of Don Lancaster's contribution to *BYTE 2* — an excerpt from his forthcoming book, *TV Typewriter Cookbook*, to be published by Howard W. Sams, Indianapolis, Indiana.

... CARL

We can get between a TV typewriter and a television style display system either by an rf modulator or a direct video method.

In the rf modulator method, we build a miniature, low power, direct wired TV transmitter that clips onto the antenna terminals of the TV set. This has the big advantage of letting you use any old TV set and ending up with an essentially free display that can be used just about anywhere. No set modifications are needed, and you have the additional advantage of automatic safety isolation and freedom from hot chassis shock problems.

There are two major restrictions to the rf modulator method. The first of these is that transmitters of this type must meet

certain exactly spelled out FCC regulations and that system type approval is required. The second limitation is one of bandwidth. The best you can possibly hope for is 3.5 MHz for black and white and only 3 MHz for color, and many economy sets will provide far less. Thus, long character line lengths, sharp characters, and premium (lots of dots) character generators simply aren't compatible with clip-on rf entry.

In the direct video method, we enter the TV set immediately following its video detector but before sync is picked off. A few premium TV sets and all monitors already have a video input directly available, but these are still expensive and rare. Thus, you usually have to modify your TV set, either

adding a video input and a selector switch or else dedicating the set to exclusive TV typewriter use. Direct video eliminates the bandwidth restrictions provided by the tuner, if strip, and video detector filter. Response can be further extended by removing or shorting the 4.5 MHz sound trap and by other modifications to provide us with longer line lengths and premium characters. No FCC approval is needed, and several sets or monitors are easily driven at once without complicated distribution problems.

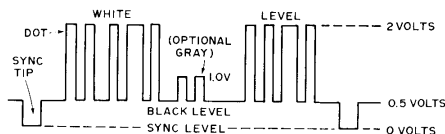
There are two limitations to the direct video technique. One is that the set has to be modified to provide direct video entry. A second, and far more severe, restriction, is that many television sets are "hot chassis" or ac-dc sets with one side of their chassis connected to the power line. These sets introduce a severe shock hazard and cannot be used as TV typewriter video entry displays unless some isolation technique is used with them. If the TV set has a power transformer, there is usually no hot chassis problem. Transistor television sets and IC sets using no vacuum tubes tend to have power transformers, as do older premium tube type sets. All others (around half the sets around today) do not.

Direct Video Methods

With either interface approach, we usually start by getting the dot matrix data, blanking, cursor, and sync signals together into one composite video signal whose

by
Don Lancaster
Box 1112
Parker AZ 85344

Fig. 1. Standard video interface levels. (Source impedance = 72 or 100 Ohms.)



form is useful to monitors and TV sets. A good set of standards is shown in Fig. 1. The signal is dc coupled and always positive going. Sync tips are grounded and blacker than black. The normal open circuit black level is positive by one-half a volt, and the white level is two volts positive. In most TV camera systems, intermediate levels between the half volt black level and the two volt white level will be some shade of gray, proportionately brighter with increasing positive voltage. With most TV typewriter systems, only the three states of zero volts (sync), half a volt (black), and two volts (white dot) would be used. One possible exception would be an additional one volt dot level for a dim but still visible portion of a message or a single word.

The usual video source impedance is either 72 or 100 Ohms. Regardless of how far we travel with a composite video output, some sort of shielding is absolutely essential.

For short runs from board to board or inside equipment, tightly twisted conductors should be OK, as should properly guarded PC runs. Fully shielded cables should be used for interconnections between the TVT and the monitor or TV set, along with other long runs. As long as the total cable capacitance is less than 500 pF or so (this is around 18 feet of RG178-U

miniature coax), the receiving end of the cable need not be terminated in a 72 or 100 Ohm resistor. When terminated cable systems are in use for long line runs or multiple outputs, they should be arranged to deliver the signal levels of Fig. 1 at their output under termination. Generally, terminated cable systems should be avoided as they need extra in the way of drivers and supply power.

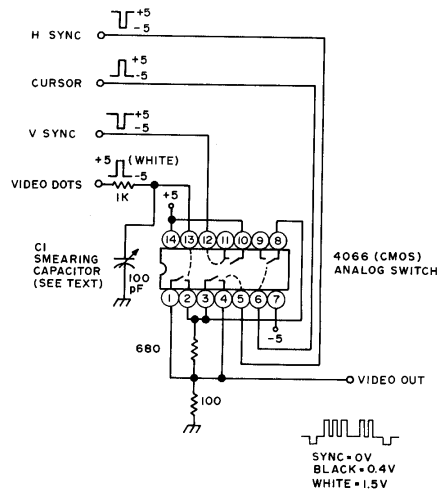
The exact width of the horizontal and vertical sync pulses isn't usually too important, so long as the shape and risetime of these pulses are independent of position control settings and power supply variations. One exception to this is when you're using a color receiver and a color display. Here, the horizontal sync pulse should be held closely to 5.1 microseconds, so the receiver's color burst sampling does in fact intercept a valid color burst. More on this later.

Intentional Smear

Fig. 2 shows us a typical composite video driver using a 4066 quad analog switch. It gives us a 100 Ohm output impedance and the proper signal levels. Capacitor C1 is used to purposely reduce the video rise and fall times. It is called a smearing capacitor.

Why would we want to further reduce the bandwidth and response of a TV system that's already hurting to begin with? In the case of a quality video monitor, we wouldn't. But if we're using an ordinary run-of-the-mill TV set, particularly one using rf entry, this capacitor can

Fig. 2. Analog switch combiner generates composite video.



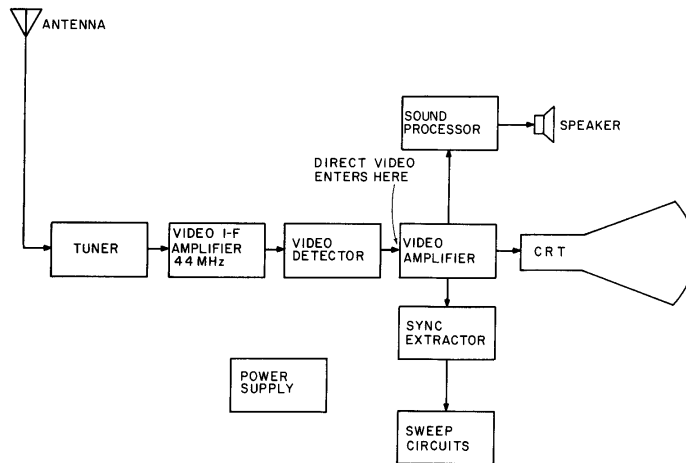
very much improve the display legibility and contrast. Why?

Because we are interested in getting the most legible character of the highest contrast we can. This is not necessarily the one having the sharpest dot rise and fall times. Many things interact to determine the upper video response of a TV display. These include the tuner settings and the i-f response and alignment, the video detector response, video peaking, the sound trap setting, rf cable reflections, and a host of other responses. Many of these stages are underdamped and will ring if fed too sharp a risetime input, giving us a ghosted,

shabby, or washed out character. By reducing the video bandwidth going into the system, we can move the dot matrix energy lower in frequency, resulting in cleaner characters of higher contrast.

For most TV displays, intentional smearing will help the contrast, legibility, and overall appearance. The ultimate limit to this occurs when the dots overlap and become illegible. The

Fig. 3. Block diagram of typical B and W television.



optimum amount of intentional smear is usually the value of capacitance that is needed to just close the inside of a "W" presented to the display.

Adding a Video Input

Video inputs are easy to add to the average television set, provided you follow some reasonable cautions. First and foremost, you must have an accurate and complete schematic of the set to be modified, preferably a Sams Photofact or something similar. The first thing to check is the power supply on the set. If it has a power transformer and has the chassis properly safety isolated from the power line, it's a good choice for a TVT monitor. This is particularly

true of recent small screen, solid state portable TV sets. On the other hand, if you have a hot chassis type with one side of the power line connected to the chassis, you should avoid its use if at all possible. If you must use this type of set, be absolutely certain to use one of the safety techniques outlined later in Fig. 8.

A block diagram of a typical TV set appears in Fig. 3. UHF or VHF signals picked up by the tuner are downconverted in frequency to a video i-f frequency of 44 MHz and then filtered and amplified. The output of the video i-f is transformer coupled to a video detector, most often a small signal germanium diode. The video detector output is filtered to

remove the carrier and then routed to a video amplifier made up of one or more tubes or transistors.

At some point in the video amplification, the black and white signal is split three ways. First, a reduced bandwidth output routes sync pulses to the sync separator stage to lock the set's horizontal and vertical scanning to the video. A second bandpass output sharply filtered to 4.5 MHz extracts the FM sound subcarrier and routes this to a sound i-f amplifier for further processing. The third output is video, which is strongly amplified and then capacitively coupled to the cathode of the picture tube.

The gain of the video amplifier sets the contrast of the display, while the bias setting on the cathode of the picture tube (with respect to its grounded control grid) sets the display brightness. Somewhere in the video amplifier, further rejection of the 4.5 MHz sound subcarrier is usually picked up to minimize picture interference. This is called a sound trap. Sound traps can be a series resonant circuit to ground, a parallel resonant circuit in the video signal path, or simply part of the transformer that is picking off the sound for more processing.

The video detector output is usually around 2 volts peak to peak and usually subtracts from a white level bias setting. The stronger the signal, the more negative the swing, and the blacker the picture. Sync tips are blacker than black, helping to blank the display during retrace times.

Fig. 4 shows us the typical black and white television. Our basic circuit consists of a diode detector, a unity gain emitter follower, and a variable gain video output stage that is capacitively coupled to the picture tube. The cathode bias sets the brightness, while the video gain sets the contrast. Amplified signals for sync and sound are removed from the collector of the video driver by way of a 4.5 MHz resonant transformer for the sound and a low pass filter for the sync. A parallel resonant trap set to 4.5 MHz eliminates sound interference. Peaking coils on each stage extend the bandwidth by providing higher impedances

and thus higher gain to high frequency video signals. Note particularly the biasing of the video driver. A bias network provides us with a stable source of 3 volts. In the absence of input video, this 3 volts sets the white level of the display, as well as establishing proper bias for both stages. As an increasing signal appears at the last video output transformer, it is negatively rectified by the video detector, thus lowering the 3 volts proportionately. The stronger the signal, the blacker the picture. Sync will be the strongest of all, giving us a blacker than black bias level of only one volt. The base of our video driver has the right sensitivity we need for video entry,

accepting a maximum of a 2 volt peak to peak signal. It also has the right polarity, for a positive going bias level means a whiter picture. *But, an unmodified set is already biased to the white level, and if we want to enter our own video, this bias must be shifted to the black level.* We have a choice in any TV of direct or ac coupling of our input video. Direct coupling is almost always better as it eliminates any

Fig. 4. Typical video circuitry of transistor B and W TV set.

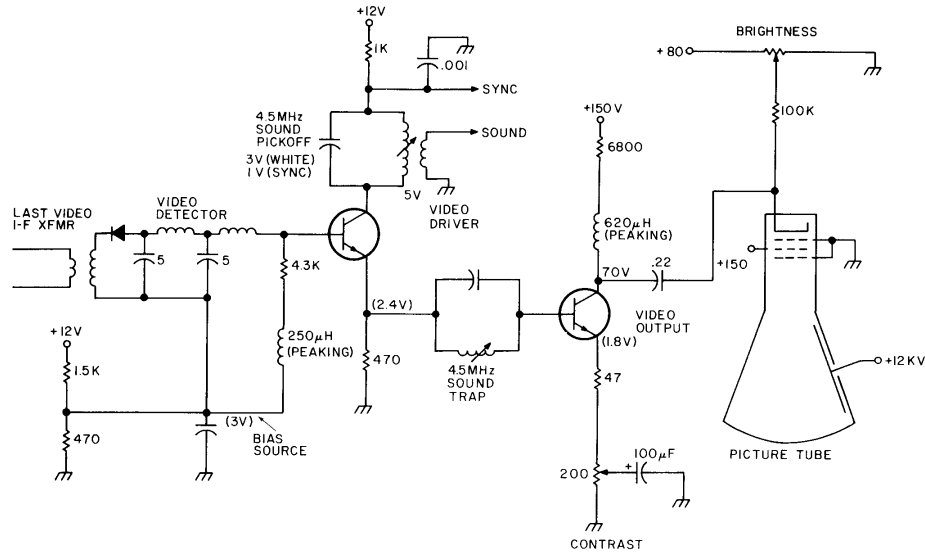
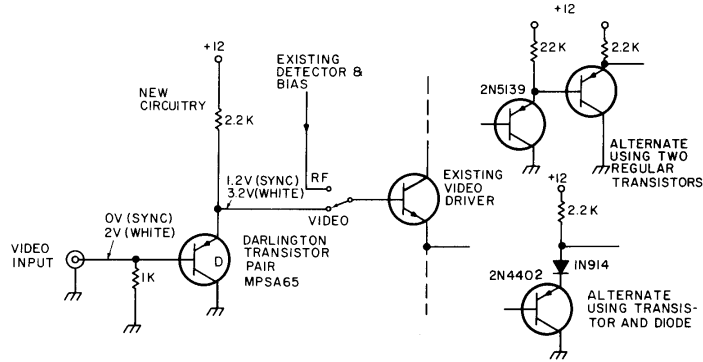


Fig. 5. Direct coupled video uses 1.2 volt offset of Darlington transistor as bias.

shading effects or any change of background level as additional characters are added to the screen. Fig. 5 shows how we can direct couple our video into a transistor black and white set. We provide a video input, usually a BNC or a phono jack, and route this to a PNP Darlington transistor or transistor pair, borrowing around 5 mils from the set's +12 volt supply. This output is routed to the existing video driver stage through a SPDT switch that either picks the video input or the existing video detector and bias network.

The two base-emitter diode drops in our Darlington transistor add up to a 1.2 volt positive going offset; so, in the absence of a video input or at the base of a sync tip, the video driver is biased to a blacker than black sync level of 1.2 volts. With a white video input of 2 volts, the video driver gets biased to its usual 3.2 volts of white level. Thus, our input transistor provides just the amount of offset we need to match the white and black bias levels of our video driver. Note that the old bias network is on the other side of the switch and does nothing in the video position.

Two other ways to offset our video input are to use two ordinary transistors connected in the Darlington configuration, or to use one transistor and a series diode



to pick up the same amount of offset, as shown in Fig. 5. If more or less offset is needed, diodes or transistors can be stacked up further to pick up the right amount of offset.

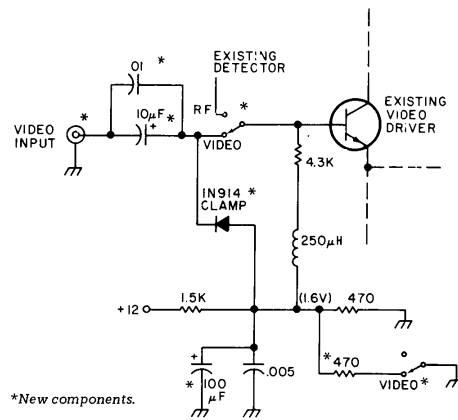
The important thing is that the video driver ends up with the same level for white bias and for black bias in either position of the switch.

Ac or capacitively coupled video inputs should be avoided. Fig. 6 shows a typical circuit. The TV's existing bias network is lowered in voltage by adding a new parallel resistor to ground to give us a voltage that is 0.6 volts more positive than the blacker than black sync tip voltage. For instance, with a 3 volt white level, and

2 volt peak to peak video, the sync tip voltage would be 1 volt; the optimum bias is then 1.6 volts. Input video is capacitively coupled by a fairly large electrolytic capacitor in parallel with a good high frequency capacitor. This provides for a minimum of screen shading and still couples high frequency signals properly. A clamping diode constantly clamps the sync tips to their bias value, with the 0.6 volt drop of this diode being taken out by the extra 0.6 volts provided for in the bias network. This clamping diode automatically holds the sync tips to their proper value, regardless of the number of white dots in the picture. Additional bypassing of the bias network by a large electrolytic may be needed for proper operation of the clamping diode, as shown in Fig. 6. Note that our bias network is used in both switch positions — its level is shifted as needed for the direct video input.

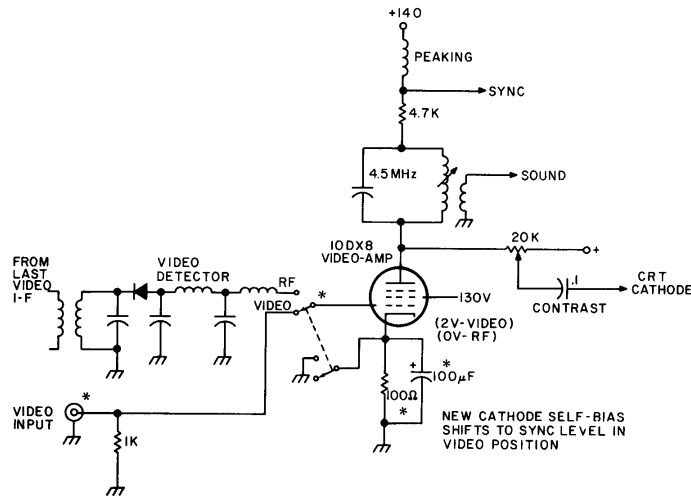
Tube type sets present about the same interface problems as the solid state versions do. Fig. 7 shows a typical direct coupled tube interface. In the unmodified

Fig. 6. Ac coupled video needs shift of bias to black level plus a clamping diode.



*New components.

Fig. 7. Direct coupled video added to tube type B and W television.



circuit, the white level is zero volts and the sync tip black level is minus two volts. If we can find a negative supply (scarce in tube type circuits), we could offset our video in the negative direction by two volts to meet these bias levels.

Instead of this, it is usually possible to self bias the video amplifier to a cathode voltage of +2 volts. This is done by breaking the cathode to ground connection and adding a small resistor (50 to 100 Ohms) between cathode and ground to get a cathode voltage of +2 volts. Once this value is found, a heavy electrolytic bypass of 100 microfarads or more is placed in parallel with the resistor. Switching then grounds the cathode in the normal rf mode and makes it +2 volts in the video entry mode.

In the direct video mode, a sync tip grounded input presents zero volts to the grid, which is self biased

minus two volts with respect to the cathode. A white level presents +2 volts to the grid, which equals zero volts grid to cathode.

Should there already be a self bias network on the cathode, it is increased in value as needed to get the black rather than white level bias in the direct video mode.

Hot Chassis Problems

There is usually no shock hazard when we use clip-on rf entry or when we use a direct video jack on a transformer-powered TV. A very severe shock hazard can exist if we use direct video entry with a TV set having one side of the

power line connected to the chassis. Depending on which way the line cord is plugged in, there is a 50-50 chance of the hot side of the power line being connected directly to the chassis.

Hot chassis sets, particularly older, power hungry tube versions, should be avoided entirely for direct video entry. If one absolutely must be used, some of the suggestions of Fig. 8 may ease the hazard. These include using an isolation transformer, husky back-to-back filament transformers, three wire power systems, optical coupling of the video input,

and total package isolation. Far and away the best route is simply never to attempt direct video entry onto a hot chassis TV.

Making the Conversion

Fig. 9 sums up how we modify a TV for direct video entry. Always have a complete schematic on hand, and use a transformer style TV set if at all possible. Late models, small screen, medium to high quality solid state sets are often the best display choice. Avoid using junk sets, particularly very old ones. Direct coupling of video is far preferable to ac capacitor coupling. Either method has to maintain the black and white bias levels on the first video amplifier stage. A shift of the first stage quiescent bias from normally white to normally black is also a must. Use short, shielded leads between the video input jack and the rest of the circuit. If a changeover switch is used, keep it as close to the rest of the video circuitry as you possibly can.

Extending Video and Display Bandwidth

By using the direct video input route, we eliminate any bandwidth and response restrictions of an rf

modulator, the tuner, video i-f strip, and the video detector filter. Direct video entry should bring us to a 3 MHz bandwidth for a color set and perhaps 3.5 MHz for a black and white model, unless we are using an extremely bad set. The resultant 6 to 7 million dot per second rate is adequate for short character lines of 32, 40, and possibly 48 characters per line. But the characters will smear and be illegible if we try to use longer line lengths and premium (lots of dots) character generators on an ordinary TV. Is there anything we can do to the set to extend the video bandwidth and display response for these longer line lengths?

In the case of a color TV, the answer is probably no. The video response of a color set is limited by an essential delay line and an essential 3.58 MHz trap. Even if we were willing to totally separate the chrominance and luminance channels, we'd still be faced with an absolute limit set by the number of holes per horizontal line in the shadow mask of the tube. This explains why video color displays are so expensive and so rare. Later on, we'll look at what's involved in adding color to the shorter line lengths.

With a black and white TV, there is often quite a bit

Fig. 8. Getting Around a Hot Chassis Problem.

Hot chassis problems can be avoided entirely by using only transformer-powered TV circuits or by using clip-on rf entry. If a hot chassis set must be used, here are some possible ways around the problem:

1. Add an isolation transformer.

A 110 volt to 110 volt isolation transformer whose wattage exceeds that of the set may be used. These are usually expensive, but a workable substitute can be made by placing two large surplus filament transformers back to back. For instance, a pair of 24 volt, 4 Amp transformers can handle around 100 Watts of set.

2. Use a three wire system with a solid ground.

Three prong plug wiring, properly polarized, will force the hot chassis connection to the cold side of the power line. This protection is useful only when three wire plugs are used in properly wired outlets. A severe shock hazard is reintroduced if a user elects to use an adaptor or plugs the system into an unknown or improperly wired outlet. The three wire system should NOT be used if anyone but yourself is ever to use the system.

3. Optically couple the input video.

Light emitting diode-photocell pairs are low in cost and can be used to optically couple direct video, completely isolating the video input from the hot chassis. Most of these optoelectronic couplers do not have enough bandwidth for direct video use; the Litronix IL-100 is one exception. Probably the simplest route is to use two separate opto-isolators, one for video and one for sync, and then recombine the signals inside the TV on the hot side of the circuit.

4. Use a totally packaged and sealed system.

If you are only interested in displaying messages and have no other input/output devices, you can run the entire circuit hot chassis, provided everything is sealed inside one case and has no chassis-to-people access. Interface to teletypes, cassettes, etc., cannot be done without additional isolation, and servicing the circuit presents the same shock hazards that servicing a hot chassis TV does.

we can do to present long lines of characters, depending on what set you start out with and how much you are willing to modify the set.

The best test signal you can use for bandwidth extension is the dot matrix data you actually want to display, for the frequency response, time delay, ringing, and overshoot all get into the act. What we want to end up with is a combination that gives us reasonably legible characters.

A good oscilloscope (15 MHz or better bandwidth) is very useful during bandwidth extension to show where the signal loses its response in the circuit. At any time during the modification process, there is usually one response bottleneck. This, of course, is what should be attacked first. Obviously the better a TV you start with, the easier will be the task. Tube type gutless wonders, particularly older ones, will be much more difficult to work with than with a modern, small screen, quality solid state portable.

Several of the things we can do are watching the control settings, getting rid of the sound trap, minimizing circuit strays, optimizing spot size, controlling peaking, and shifting to higher current operation. Let's take a look at these in turn.

Control Settings

Always run a data display at the lowest possible contrast and using only as much brightness as you really need. In many circuits, low contrast means a lower video amplifier gain, and thus less of a gain-bandwidth restriction.

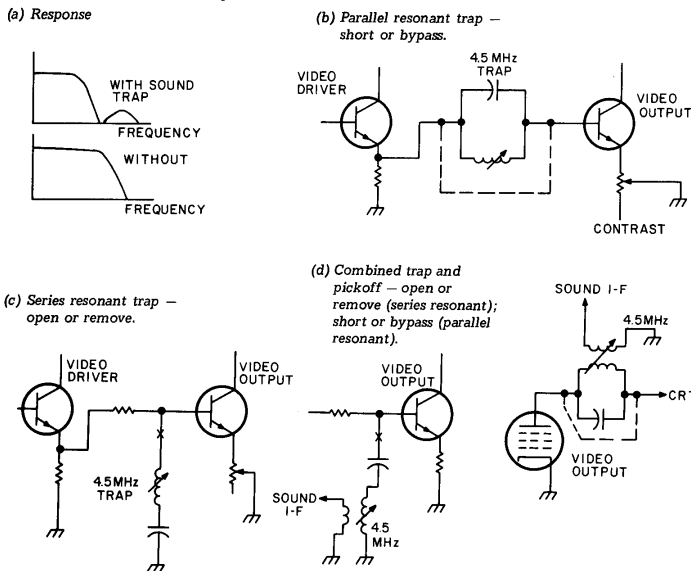
Eliminate the Sound Trap

The sound trap adds a notch at 4.5 MHz to the video response. If it is eliminated or switched out of the circuit, a wider video bandwidth automatically

Fig. 9. How to Add a Direct Video Input to a TV Set.

1. Get an accurate and complete schematic of the set — either from the manufacturer's service data or a Photofact set. **Do not try adding an input without this schematic!**
2. Check the power supply to see if a power transformer is used. If it is, there will be no shock hazard, and the set is probably a good choice for direct video use. If the set has one side of the power line connected to the chassis, a severe shock hazard exists, and one of the techniques of Fig. 8 should be used. **Avoid the use of hot chassis sets.**
3. Find the input to the first video amplifier stage. Find out what the white level and sync level bias voltages are. The marked or quiescent voltage is usually the white level; sync is usually 2 volts less. A transistor TV will typically have a +3 volt white level and a +1 volt sync level. A tube type TV will typically have a zero volt white level and a -2 volt sync level.
4. Add a changeover switch using minimum possible lead lengths. Add an input connector, either a phono jack or the premium BNC type connector. Use shielded lead for interconnections exceeding three inches in length.
5. Select a circuit that couples the video and biases the first video amplifier stage so that the white and sync levels are preserved. For transistor sets, the direct coupled circuits of Fig. 5 may be used. For tube sets, the circuit of Fig. 7 is recommended. Avoid the use of ac coupled video inputs as they may introduce shading problems and changes of background as the screen is filled.
6. Check the operation. If problems with contrast or sync tearing crop up, recheck and adjust the white and sync input levels to match what the set uses during normal rf operation. Note that the first video stage must be biased to the **white** level during rf operation and to the **sync** level for direct video use. The white level is normally two volts more positive than the sync level.

Fig. 10. Removing the sound trap can extend video bandwidth.



results. Fig. 10 shows us the response changes and the several positions for this trap. Generally, series resonant traps are opened and parallel resonant traps are shorted or bypassed through suitable switching or outright elimination. The trap has to go back into the circuit if the set is ever again used for ordinary program reception. Sometimes simply backing the slug on the trap all the way out will improve things enough to be useful.

Minimizing Strays

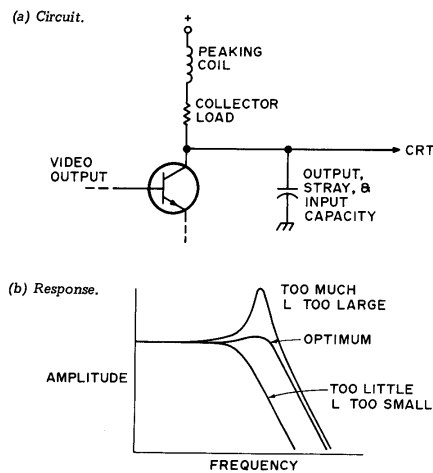
One of the limits of the video bandwidth is the stray capacitance both inside the video output stage and in the external circuitry. If the contrast control is directly in the signal path and if it has long leads going to it, it may be hurting the response. If you are using the TV set exclusively for data display, can you rearrange the control location and simplify and shorten the video output to picture tube interconnections?

Additional Peaking

Most TV sets have two peaking networks. The first of these is at the video detector output and compensates for the vestigial sideband transmission signal that makes sync and other

low frequency signals double the amplitude of the higher frequency ones. The second of these goes to the collector or plate of the video output stage and raises the circuit impedance and thus the effective gain for very high

Fig. 11. Adjusting the peaking coil can extend video response.



frequencies. Sometimes you can alter this second network to favor dot presentations. Fig. 11 shows a typical peaking network and the effects of too little or too much peaking. Note that the stray capacitance also enters into the peaking, along with the video amplifier output capacitance and the picture tube's input capacitance. Generally, too little peaking will give you low contrast dots, while too much will give you sharp dots, but will run dots together and shift the more continuous portions of the characters objectionably. Peaking is changed by increasing or decreasing the series inductor from its design value.

Running Hot

Sometimes increasing the operating current of the video output stage can increase the system bandwidth — IF this stage is in fact the limiting response, IF the power supply can handle the extra current, IF the stage isn't already parked at its gain-bandwidth peak, and IF the extra heat can be gotten rid of without burning anything up. Usually, you can try adding a resistor three times the plate or collector load resistor in parallel, and see if it increases bandwidth by 1/3. Generally, the higher the current, the wider the bandwidth, but watch

carefully any dissipation limits. Be sure to provide extra ventilation and additional heatsinking, and check the power supply for unhappiness as well. For major changes in operating current, the emitter resistors and other biasing components should also be proportionately reduced in value.

Spot Size

Even with excellent video bandwidth, if you have an out-of-focus, blooming, or changing spot size, it can completely mask character sharpness. Spot size ends up the ultimate limit to resolution, regardless of video bandwidth.

Once again, brightness and contrast settings will have a profound effect, with too much of either blooming the spot. Most sets have a focus jumper in which ground or a positive voltage is selected. You can try intermediate values of voltage for maximum sharpness. Extra power supply filtering can sometimes minimize hum and noise modulation of the spot.

Anything that externally raises display contrast will let you run with a smaller beam current and a sharper spot. Using circularly polarized filters, graticule masks, or simple colored filters can

Fig. 12. Contrast Enhancing Filter Materials.

Circularly polarized filters:

Polaroid Corp.
Cambridge MA 02139

Anti-reflection filters:

Panelgraphic Corp.
10 Henderson Dr.
West Caldwell NJ 07006

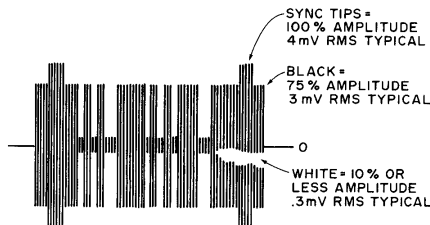
Light control film:

3M Visual Products Div.
3M Center
St. Paul MN 55101

Acrylic plexiglas filter sheets:

Rohm and Haas
Philadelphia PA 19105

Fig. 13. Standard rf interface levels. Impedance = 300Ω Carrier frequency per Fig. 14.



minimize display washout from ambient lighting. Fig. 12 lists several sources of material for contrast improvement. Much of this is rather expensive, with pricing from \$10 to \$25 per square foot being typical. Simply adding a hood and positioning the display away from room lighting will also help and is obviously much cheaper.

Direct Rf Entry

If we want the convenience of a "free" display, the freedom from hot chassis problems, and "use it anywhere" ability, direct rf entry is the obvious choice. Its two big limitations are the need for FCC type approval, and a limited video bandwidth that in turn limits the number of characters per line and the number of dots per character.

An rf interface standard is shown in Fig. 13. It consists of an amplitude modulated carrier of one of the standard television channel video frequencies of Fig. 14. Channel 2 is most often used

with a 55.250 MHz carrier frequency, except in areas where a local commercial Channel 2 broadcast is intolerably strong. Circuit cost, filtering problems, and stability problems tend to increase with increasing channel number.

The sync tips are the strongest part of the signal, representing 100% modulation, often something around 4 millivolts rms across a 300 Ohm line. The black level is 75% of the sync level, or about 3 millivolts for 4 millivolt sync tips. White level is less than 10% of maximum. Note that the signal is weakest when white and strongest when sync. This is the exact opposite of the video interface of Fig. 1.

Rf modulators suitable for clip-on rf entry TV typewriter use are called Class 1 TV Devices by the FCC. A Class 1 TV device is supposed to meet the rules and regulations summarized in Fig. 15.

Fig. 16 shows us a block diagram of the essential parts of a TV modulator. We start

Fig. 14. Television Picture Carrier Frequencies.

Channel 2	55.25 MHz
Channel 3	61.25 MHz
Channel 4	67.25 MHz
Channel 5	77.25 MHz
Channel 6	83.25 MHz

Fig. 15. FCC Regulations on Class 1 TV Devices. More complete information appears in subpart H of Part 15 and subpart F of Part 2 of the Federal Communications Commission Rules and Regulations. It is available at many large technical libraries.

A Class 1 TV device generates a video modulated rf carrier of a standard television channel frequency. It is directly connected to the antenna terminals of the TV set.

The maximum rms rf voltage must be less than 6 millivolts using a 300 Ohm output line.

The maximum rf voltage on any frequency more than 3 MHz away from the operating channel must be more than 30 dB below the peak in-channel output voltage.

An antenna disconnect switch of at least 60 dB attenuation must be provided.

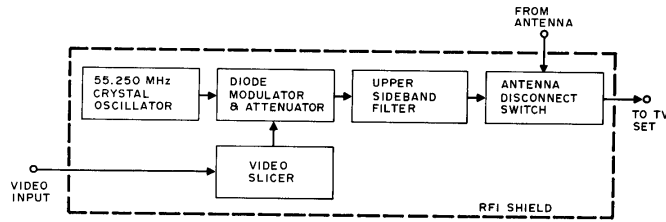
No user adjustments are permitted that would exceed any of the above specifications.

Residual rf radiation from case, leads and cabinet must be less than 15 microvolts per meter.

A Class 1 TV device must not interfere with TV reception.

Type approval of the circuit is required. A filing fee of \$50 and an acceptance fee of \$250 is involved.

Fig. 16. Block diagram of rf modulator.



with a stable oscillator tuned to one of the Fig. 14 frequencies. A crystal oscillator is a good choice, and low cost modules are widely available. The output of this oscillator is then amplitude modulated. This can be done by changing the bias current through a silicon small signal diode. One milliampere of bias current makes the diode show an ac and rf impedance of 26 Ohms. Half a mil will look like 52 Ohms, and so on. The diode acts as a variable resistance attenuator in the rf circuit, whose bias is set and changed by the video circuit.

Since diode modulators are non-linear, we can't simply apply a standard video signal to them and get a standard rf signal out. A differential amplifier circuit called a video slicer may be used to compensate for this non-linearity. The video slicer provides three distinct currents to the diode modulator. One of these is almost zero for the white level, while the other two provide the black and sync levels. A contrast control that sets the slicing level lets you adjust the sync tip height with respect to the black level. The video slicer also minimizes rf getting back into the video. An attenuator to reduce the size of the modulated signal usually follows the diode modulator.

An upper side band filter removes most of the lower sideband from the AM modulated output, giving us a

vestigial sideband signal that stays inside the channel band limits. This same filter eliminates second harmonic effects and other spurious noise. The filter's output is usually routed to an antenna disconnect switch and the TV's antenna terminals. A special switch is needed to provide enough isolation.

Some of the actual circuitry involved is shown in Fig. 17. The video slicer consists of a pair of high gain, small signal NPN transistors, while the oscillator is a commercially available module.

Rf entry systems always must be direct coupled to the antenna terminals of the set and should never provide any more rf than is needed for a minimum snow-free picture. They should be permanently tuned to a single TV channel. Under no circumstances should an antenna or cable service hookup remain connected to the set during TVT use, nor should radiation rather than a direct rf cable connection ever be used.

Color Techniques

We can add a full color capability to a TV typewriter system fairly easily and cheaply — provided its usual

black and white video dot rate is low enough in frequency to be attractively displayed on an ordinary color TV. Color may be used to emphasize portions of a message, to attract attention, as part of an electronic game, or as obvious added value to a graphics display. Color techniques work best on TV typewriter systems having a horizontal frequency very near 15,735 Hertz.

All we basically have to do is generate a subcarrier sine wave to add to the video

output. The phase of this subcarrier (or its time delay) is shifted with respect to what the phase was immediately after each horizontal sync pulse to generate the various colors.

Fig. 18 shows us the differences between normal color and black and white baseband video is some 4 MHz wide and has a narrow 4.5 MHz sound subcarrier. The video is amplitude modulated, while the sound is narrow band frequency

Fig. 17. Channel two oscillator, modulator, video slicer and attenuator. R sets output level.

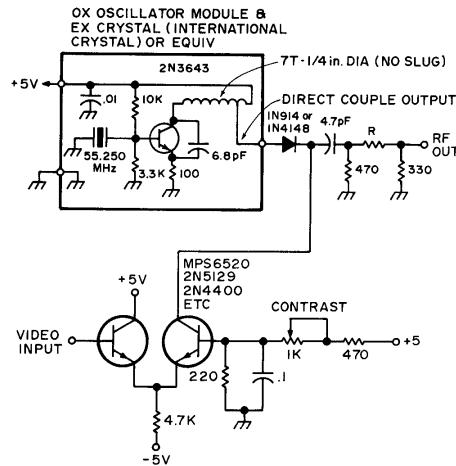
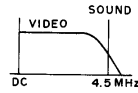
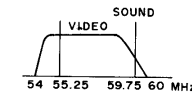


Fig. 18. Differences between color and black and white spectra.

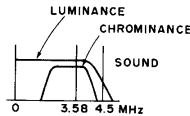
(a) Black and white – baseband video.



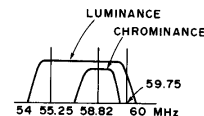
(b) Black and white – Channel two rf.



(c) Color – baseband video.



(d) Color – Channel two rf.



modulated. This translates up to a 6 MHz rf channel with a vestigial lower sideband as shown in Fig. 18(b).

To generate color, we add a new pilot or subcarrier at a magic frequency of 3.579545 MHz – see Fig. 18(c). What was the video is now called the luminance, and is the same as the brightness in a black and white system. The new subcarrier and its modulation is called the chrominance signal and determines what color gets displayed and how saturated the color is to be.

Since the black and white information is a sampled data system that is scanned at the vertical and horizontal rates, there are lots of discrete holes in the video spectrum that aren't used. The color subcarrier is designed to stuff itself into these holes (exactly in a NSTC color system, and pretty much in a TVT display). Both chrominance and luminance signals use the

same spectral space, with the one being where the other one isn't, overlapping comb style.

The phase or relative delay of the chrominance signal with respect to a reference color, while the amplitude of this signal with respect to the luminance sets the saturation of the color. Low amplitudes generate white or pastel shades, while high amplitudes of the chrominance signal produce saturated and deep colors.

At least eight cycles of a reference or burst color phase are transmitted immediately following each horizontal sync pulse as a timing reference, as shown in Fig.

19. The burst is around 25% of maximum amplitude, or about the peak to peak height of a sync pulse.

The TV set has been trained at the factory to sort all this out. After video detection, the set splits out the chrominance channel with a bandpass amplifier and then synchronously demodulates it with respect to an internal 3.58 MHz reference. The phase of this demodulation sets the color and the amplitude sets the saturation by setting the

ratios of electron beam currents on the picture tube's red, blue and green guns.

Meanwhile, the luminance channel gets amplified as brightness style video. It is delayed with a delay line to make up for the time delay involved in the narrower band color processing channel. It is then filtered with two traps – the 4.5 MHz sound trap, and a new trap to get rid of any remaining 3.58 MHz color subcarrier that's left. The luminance output sets the overall brightness by modulating the cathodes of all three color guns simultaneously.

Just after each horizontal sync pulse, the set looks for the reference burst and uses this reference in a phase

Fig. 19 Adding a color reference burst to the back porch of the horizontal sync pulses.

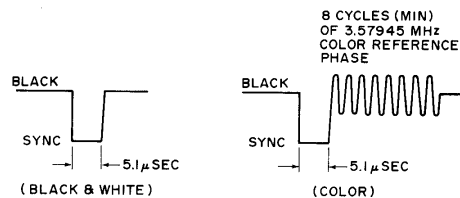


Fig. 20. Colors Are Generated by Delaying or Phase Shifting the Burst Frequency.

Color	Approximate Phase	Approximate Delay
Burst	0°	0
Yellow	15°	12 nanoseconds
Red	75°	58 nanoseconds
Magenta	135°	105 nanoseconds
Blue	195°	151 nanoseconds
Cyan	255°	198 nanoseconds
Green	315°	244 nanoseconds

detector circuit to keep its own 3.58 MHz reference locked to the version being transmitted.

Fig. 20 shows us the phase angles related to each color with respect to the burst phase. It also shows us the equivalent amount of delay we need for a given phase angle. Since we usually want only a few discrete colors, it's far easier to digitally generate colors simply by delaying the reference through gates or buffers, rather than using complex and expensive analog phase shift methods.

Strictly speaking, we should control both the chrominance phase and amplitude to be able to do both pastel and strongly saturated colors. But simply keeping the subcarrier amplitude at the value we used for the burst — around 25% of video amplitude — is far simpler and will usually get us useful results.

A circuit to add color to a TV typewriter is shown in Fig. 21. A 3.579545 MHz crystal oscillator drives a string of CMOS buffers that make up a digital delay line. The output delays caused by the propagation delay times in each buffer can be used as

is, or can be trimmed to specific colors by varying the supply voltage.

The reference phase and the delayed color outputs go to a one-of-eight data selector. The data selector picks either the reference or a selected color in response to a code presented digitally to the three select lines. The logic that is driving this selector must return to the

reference phase position (000) immediately before, during and for a minimum of a few microseconds after each horizontal sync pulse. This gives the set a chance to lock and hold onto the reference color burst.

The chrominance output from the data selector should be disabled for the duration of the sync pulses and any time a white screen display is

wanted. The output chrominance signal is RC filtered to make it somewhat sinusoidal. It's then cut down in amplitude to around one-quarter the maximum video white level and is capacitively coupled to the 100 Ohm video output of Fig. 2 or otherwise summed into the video or rf modulator circuitry. For truly dramatic color effects, the amplitude and delay of the chrominance signal can be changed in a more complex version of the same circuit.

More information useful in solving television interface appears in the *Television Engineering Handbook*, by Donald Fink, and in various issues of the *IEEE Transactions on Consumer Electronics*.

Fig. 21. Color subcarrier generator. Hex buffer used as delay line. Use supply voltage variation on 4050 to trim colors.

