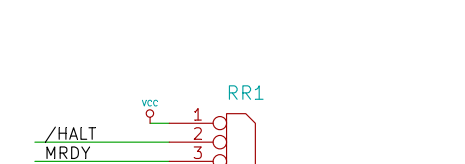
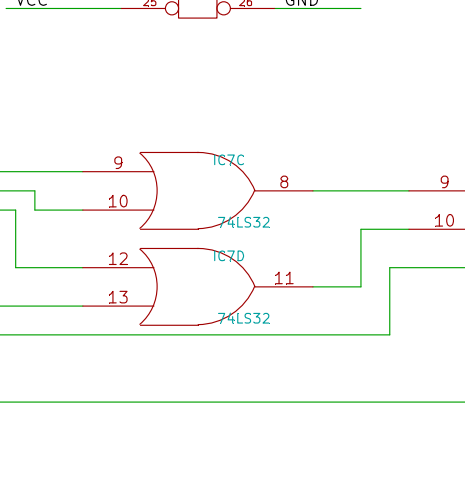
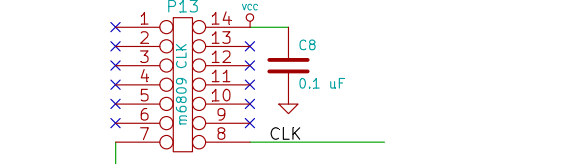
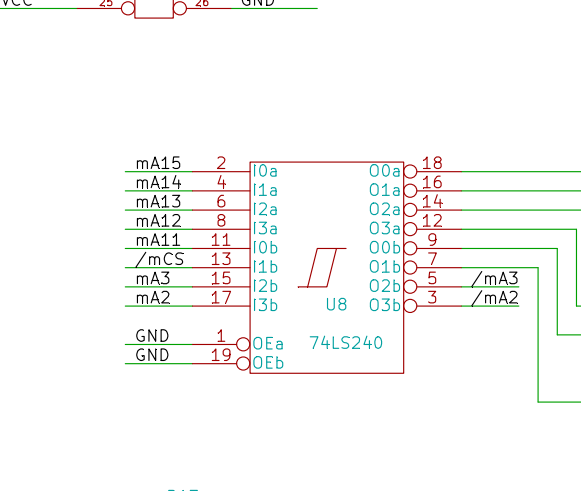
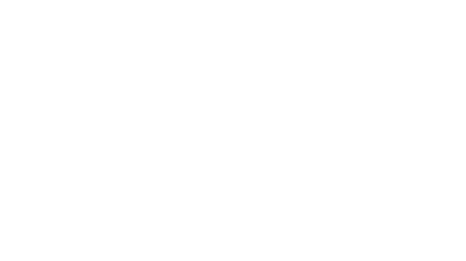
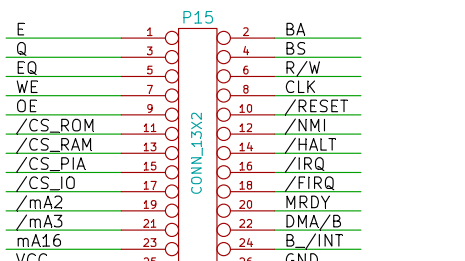
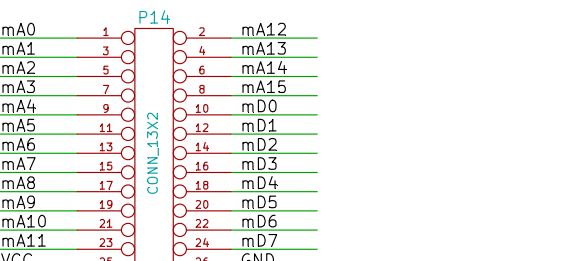
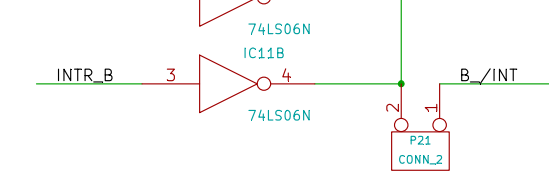
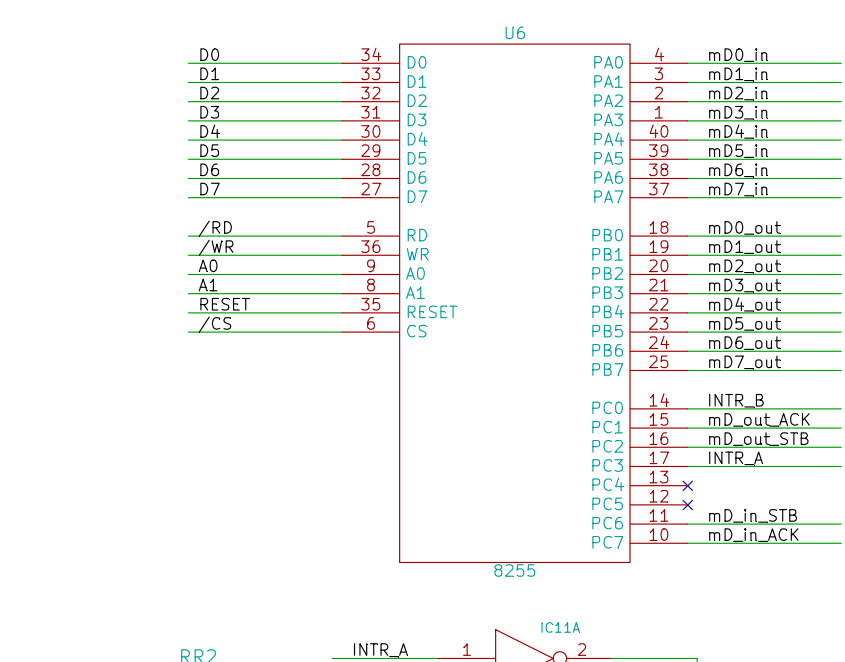
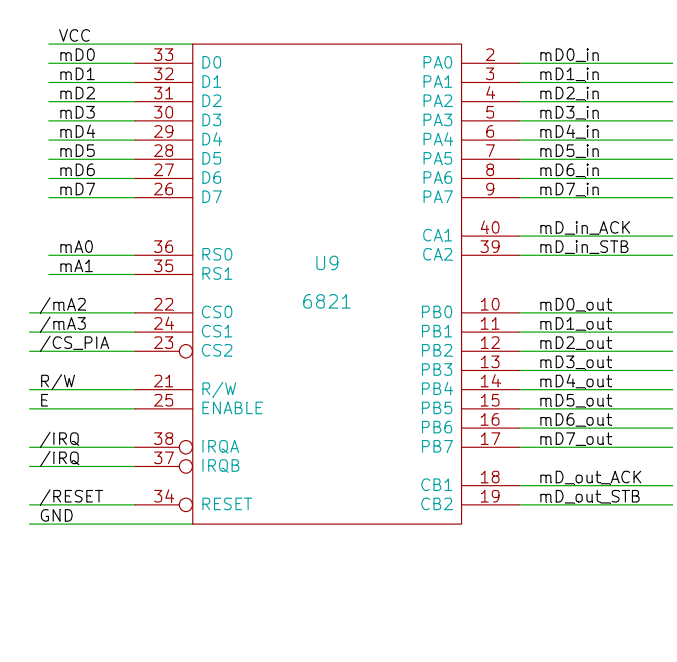
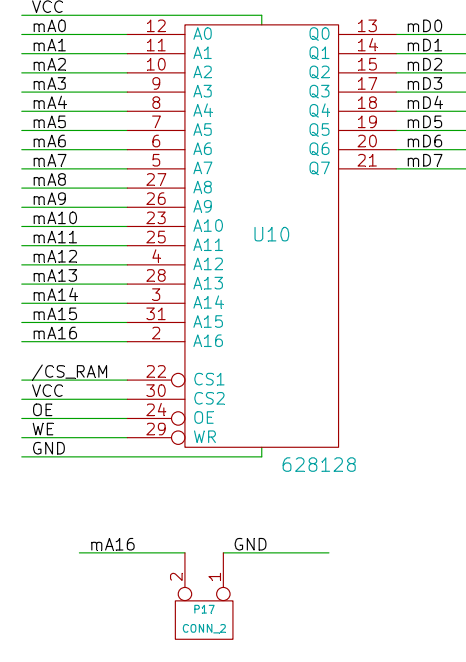
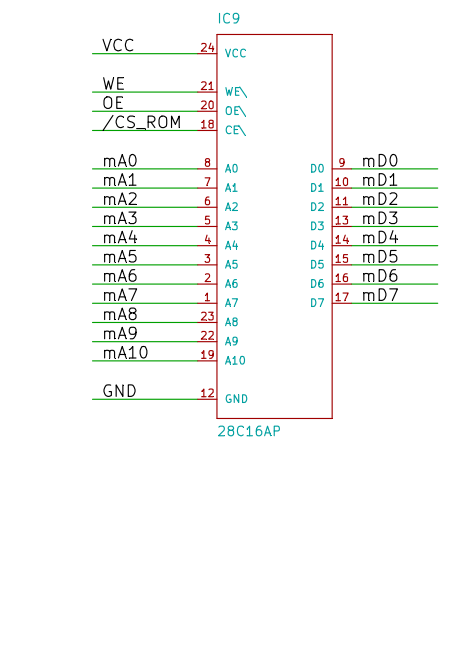
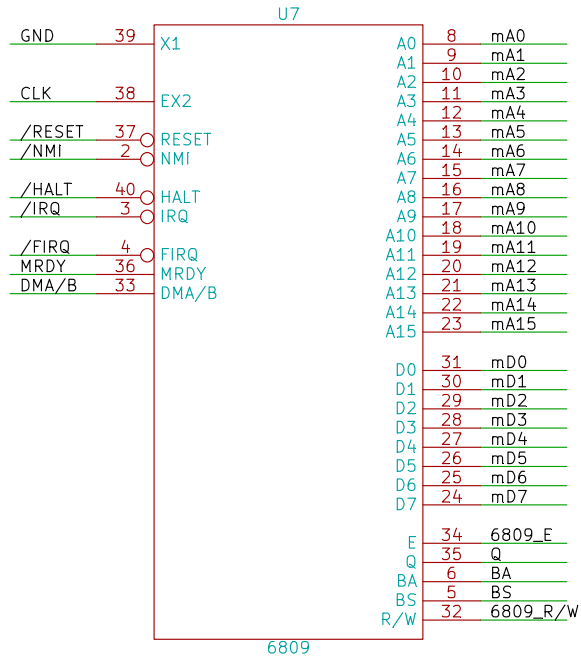
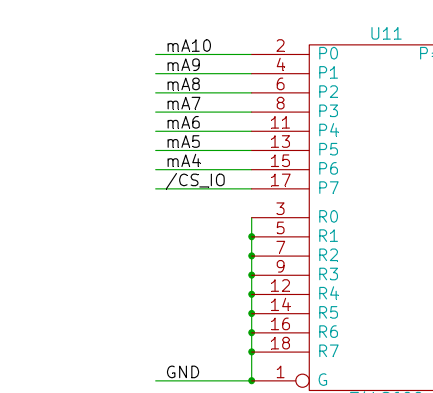
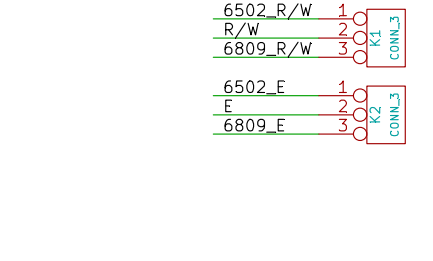
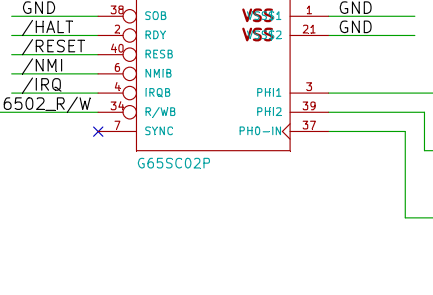
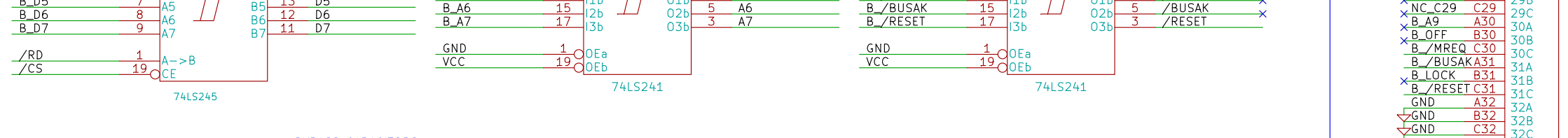
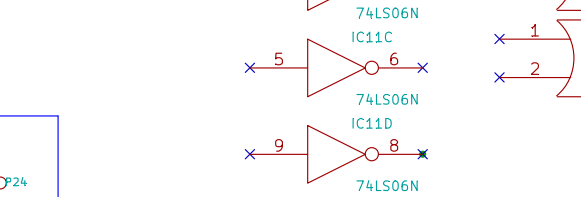
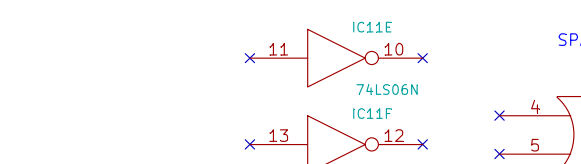
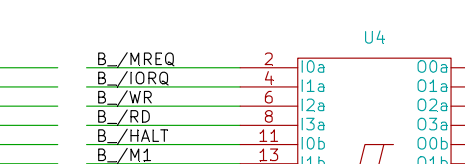
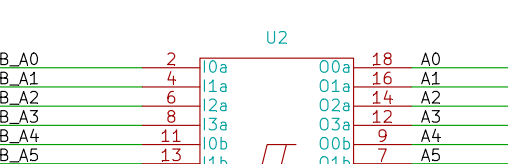
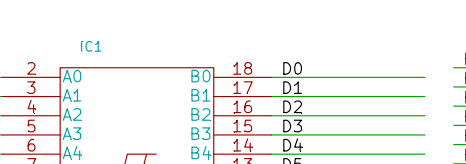
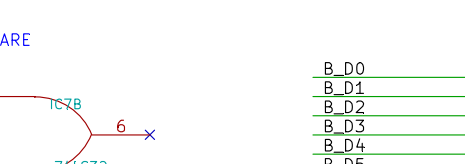
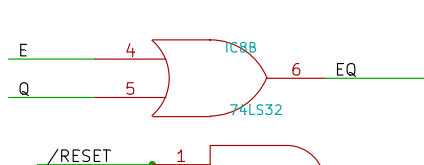
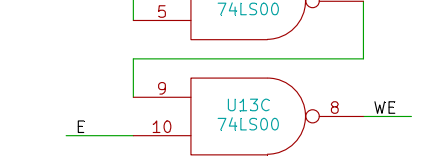
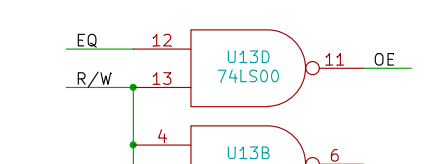
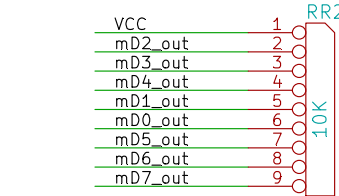
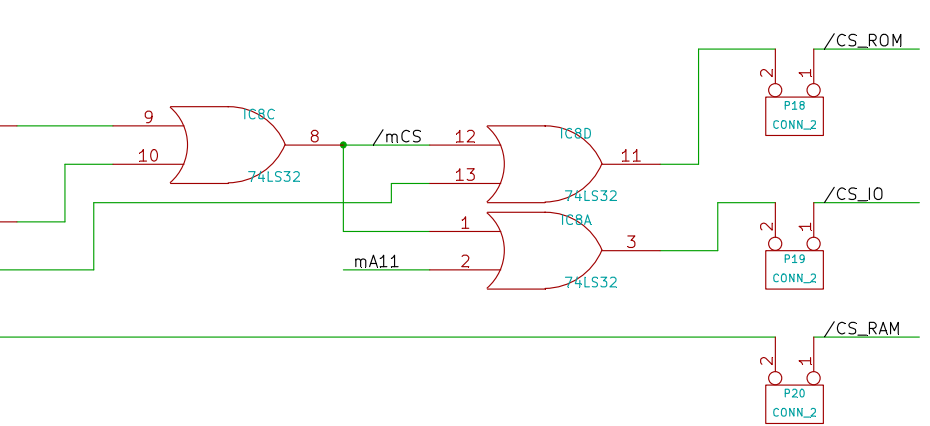
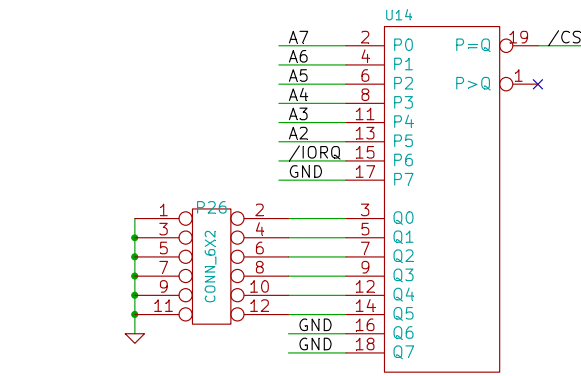


Part	Pin	Signal
mA0	9	A0
mA1	10	A1
mA2	11	A2
mA3	12	A3
mA4	13	A4
mA5	14	A5
mA6	15	A6
mA7	16	A7
mA8	17	A8
mA9	18	A9
mA10	19	A10
mA11	20	A11
mA12	21	A12
mA13	22	A13
mA14	23	A14
mA15	24	A15
GND	25	



INITIAL IO ADDRESS DECODER LOGIC



ECB CONNECTOR		U0	
VCC	A1	1A	
VCC	A2	1B	
VCC	A3	1C	
B_D5	A4	1D	
B_A20	B2	2B	
B_D0	C2	2C	
B_D6	A3	3C	
B_A21	B3	3A	
B_D7	C3	3C	
B_D3	A4	4A	
B_A22	B4	4B	
B_D4	A5	4C	
B_A23	B5	5A	
B_A0	C5	5C	
B_A2	A6	6A	
B_D8	B6	6B	
B_A3	C6	6C	
B_A4	A7	7A	
B_D9	B7	7B	
B_A1	C7	7C	
B_A5	A8	8A	
B_D10	B8	8B	
B_A6	C8	8C	
B_A7	A9	9A	
B_D11	B9	9B	
B_A8	C9	9C	
B_D12	B10	10B	
B_A9	C10	10C	
B_BUSRQA11	A11	11A	
B_D13	B11	11B	
B_I1	C11	11C	
B_A12	A12	12A	
B_D14	B12	12B	
B_C12	C12	12C	
B_D15	A13	13A	
B_A13	B13	13B	
B_C13	C13	13C	
B_D16	A14	14A	
B_I14	B14	14B	
B_A15	C14	14C	
B_D17	A15	15A	
B_I15	B15	15B	
B_C15	C15	15C	
B_D18	A16	16A	
B_I16	B16	16B	
B_C16	C16	16C	
B_D19	A17	17A	
B_I17	B17	17B	
B_C17	C17	17C	
B_D20	A18	18A	
B_I18	B18	18B	
B_C18	C18	18C	
B_D21	A19	19A	
B_I19	B19	19B	
B_C19	C19	19C	
B_D22	A20	20A	
B_I20	B20	20B	
B_C20	C20	20C	
B_D23	A21	21A	
B_I21	B21	21B	
B_C21	C21	21C	
B_D24	A22	22A	
B_I22	B22	22B	
B_C22	C22	22C	
B_D25	A23	23A	
B_I23	B23	23B	
B_C23	C23	23C	
B_D26	A24	24A	
B_I24	B24	24B	
B_C24	C24	24C	
B_D27	A25	25A	
B_I25	B25	25B	
B_C25	C25	25C	
B_D28	A26	26A	
B_I26	B26	26B	
B_C26	C26	26C	
B_D29	A27	27A	
B_I27	B27	27B	
B_C27	C27	27C	
B_D30	A28	28A	
B_I28	B28	28B	
B_C28	C28	28C	
B_D31	A29	29A	
B_I29	B29	29B	
B_C29	C29	29C	
B_D32	A30	30A	
B_I30	B30	30B	
B_C30	C30	30C	
B_D33	A31	31A	
B_I31	B31	31B	
B_C31	C31	31C	
B_D34	A32	32A	
B_I32	B32	32B	
B_C32	C32	32C	